

Slant/Fin® Multi/Pak 90

INSTALLATION INSTRUCTIONS

ENCLOSURE WITHOUT BACK PANEL

(Refer to Figure 1)

- Referring to Table I, use a chalk line or laser to mark the location from floor to height "A".

Table I — Height from floor to top of upper mounting slot

Model	Dimension "A"
90-14	17 $\frac{5}{16}$ "
90-21	24 $\frac{5}{16}$ "

- Assemble SC hanger. With cradle upside down (Figure 2), place SC bracket across bottom of cradle, lining up notches in bracket with holes in cradle. Insert pin through holes and across notches as shown and secure with push-on nut.
- Attach hanger to bracket with screws furnished (1/4—20 x 1/4" long). (Figure 3)
- Mount bracket and hanger assembly (Figure 1) to wall at chalk line with chalk line just visible at top of upper slot. One bracket should be located 6 in. from each end of the cover. An additional bracket, provided with 6, 7 and 8 ft. lengths, should be centered between the first two.
- Align hanger for necessary pitch.
- Install elements; connect and test system.
- If top cover is equipped with damper, install knob and lead screw. See instructions on back.
- If a field installed damper kit has been purchased, see instructions packed with kit and install damper on top cover.
- Snap on top cover first. Insert top lip between wall and bracket. Pull down until bottom lip engages slot on flag brace. Insert top lip of front cover into slot on flag brace, and insert bottom lip of cover into slot on bracket by pushing bracket up.
- If using optional internal splice plates, fully assemble the first length of cover on the wall and install the splice plate. Then assemble the adjoining length of cover on the wall and butt to the first, etc. See internal splice plate instructions on page 3.
- Follow through with accessories.

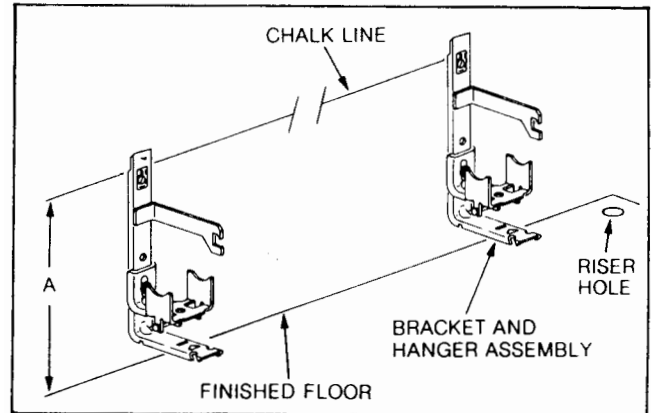


FIGURE 1

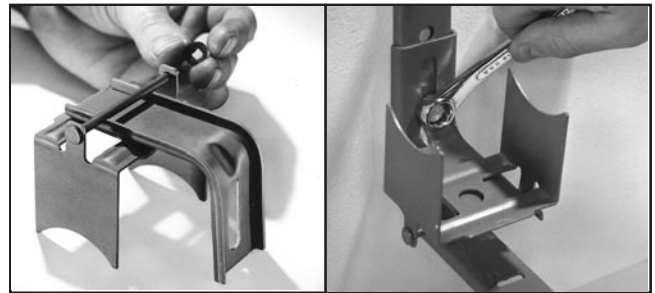


FIGURE 2

FIGURE 3

ENCLOSURES WITH BACK PANEL OR HANGING STRIP

(Refer to Figure 4)

- Referring to Table II, mark chalk line from floor to height "A". Install back panel or hanging strip at chalk line.

Table II —

Height from floor to top of back panel or hanging strip

Model	Dimension "A"
90-14	18 $\frac{1}{4}$ "
90-21	25 $\frac{1}{4}$ "

- Follow steps 2a and 2b above.
- Mount bracket and hanger assembly (Figure 4) to back panel or hanging strip.
- Align hanger for necessary pitch.
- Install elements; connect and test system.
- Snap on top cover first. Insert top lip between wall and back panel or hanging strip. Pull down until bottom lip engages slot on flag brace. Insert top lip of front cover into slot on flag brace, and bottom lip of cover into slot on bracket by pushing bracket up. If using optional internal splice plates, see 8 above.
- Follow through with accessories.

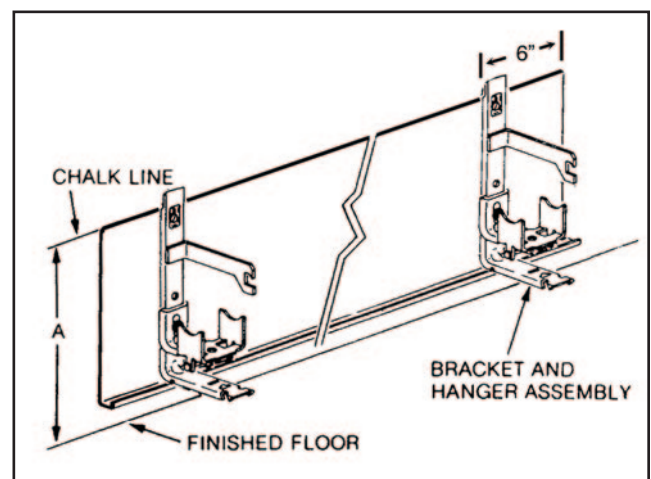
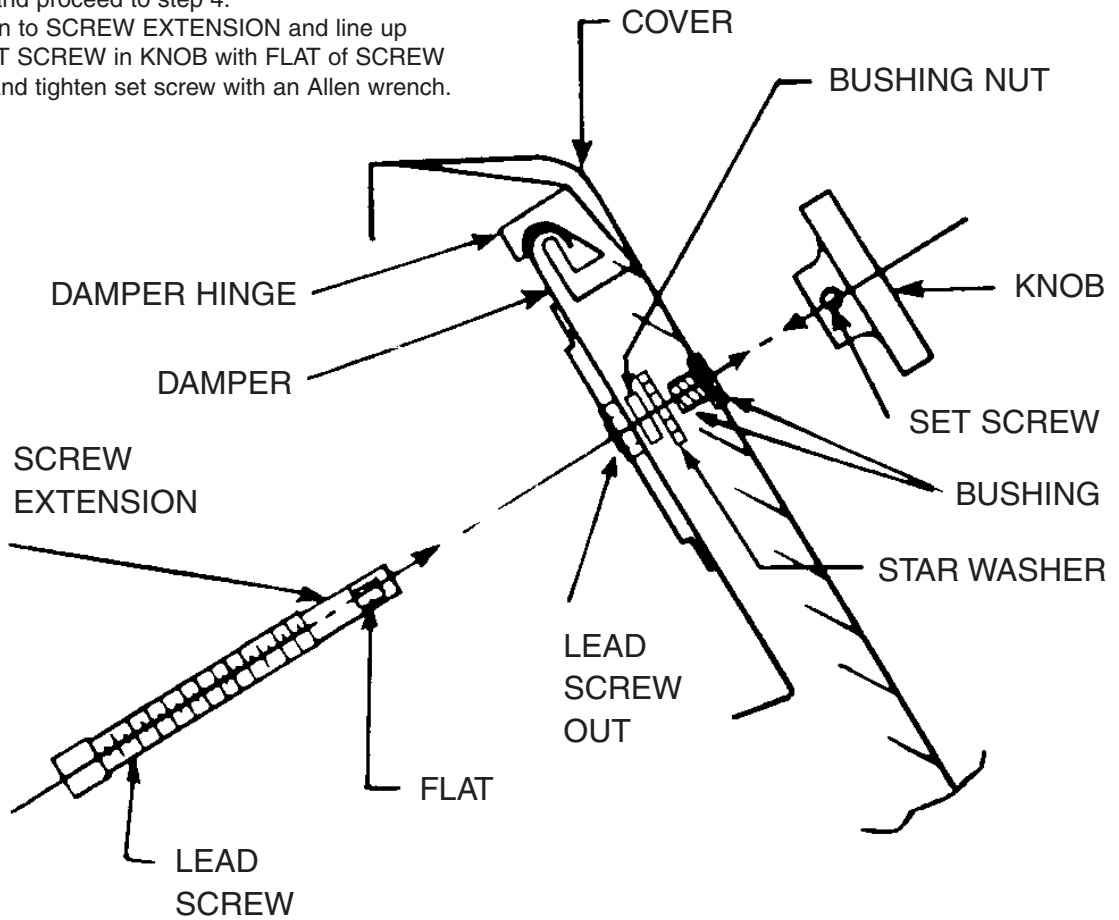


FIGURE 4

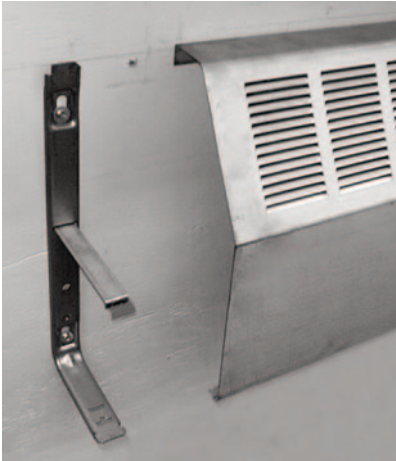
OPTIONAL DAMPER KNOB AND LEAD SCREW ASSEMBLY INSTRUCTIONS

1. Screw LEAD SCREW into LEAD SCREW NUT about 10 turns clockwise in direction shown.
2. Line up LEAD SCREW with BUSHING hole by sliding DAMPER left or right.
3. Swing DAMPER toward COVER and guide LEAD SCREW through BUSHING hole until beginning of SCREW thread is against BUSHING and SCREW EXTENSION protrudes through front of COVER.
4. Place KNOB on to SCREW EXTENSION and line up Allen head SET SCREW in KNOB with FLAT of SCREW EXTENSION and tighten set screw with an Allen wrench.



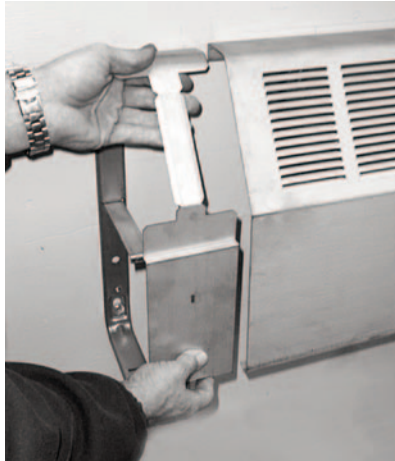
INTERNAL SPLICE PLATE INSTALLATION INSTRUCTIONS

Cover sections may be tightly joined with internal splice plates for a neat, trim fit. They may be used instead of external splice plates.



Step 1:

After installing support brackets on the wall at the desired height, place the cover over the brackets and snap in place.



Step 2:

Insert the internal splice plate just shy of the halfway slots. Slots must remain visible and not slide under cover.



Step 3:

Insert screws, nails or slotted screw drivers into the 2 halfway slots of the internal splice plate to hold it in the correct location and prevent the halfway slots from sliding under cover.



Step 4:

Place the next cover in place on support brackets.



Step 5:

Slide the next cover over the internal splice plate up to the screws, nails or slotted screw drivers.



Step 6:

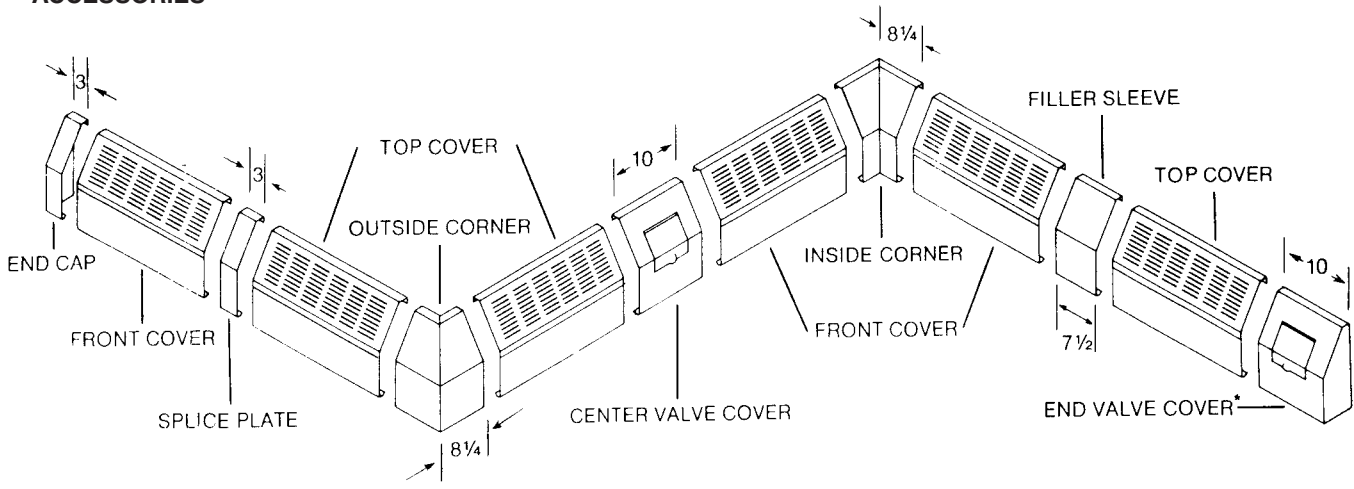
Remove the 2 screws, nails or screw drivers.



Step 7:

Continue sliding cover sections together until a snug fit is obtained.

ACCESSORIES



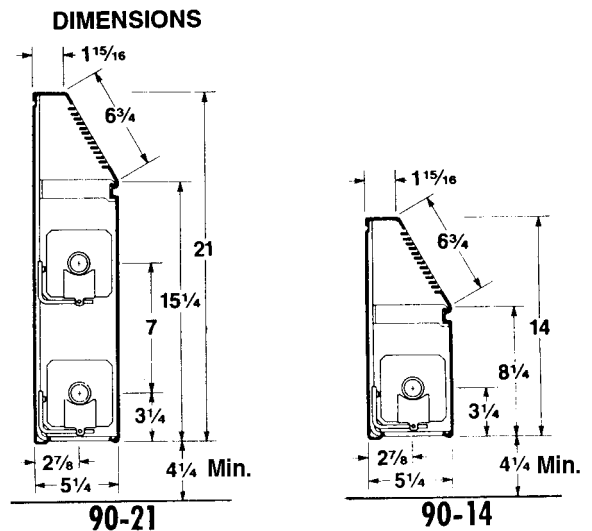
* One bracket required for each end valve cover.

<u>Accessories</u>	<u>Telescoping Distance</u>
End Valve Cover	2"
End Cap	2 1/2"
Center Valve Cover	2"
Inside Corner 90°	2 1/2"
Outside Corner 90°	3"

WALL BRACKETS/HANGERS:

Packaged with complete assembly. SC hanger has guide rod to provide 1 15/16" lateral expansion movement, 1 1/8" vertical pitch adjustment. Brackets and hangers provided with complete assembly as follows:

Length	90-14		90-21	
	Brackets	Hangers	Brackets	Hangers
2-5 ft.	2	2	2	4
6-8 ft.	3	3	3	6



©Slant/Fin Corp. 2016 Printed in the U.S.A. 916 Part#180048. Publication No. 90-40

SLANT/FIN CORPORATION, Greenvale, N.Y. 11548 • Phone: (516) 484-2600
FAX: (516) 484-5921 • Canada: Slant/Fin LTD/LTEE, Mississauga, Ontario

www.slantfin.com