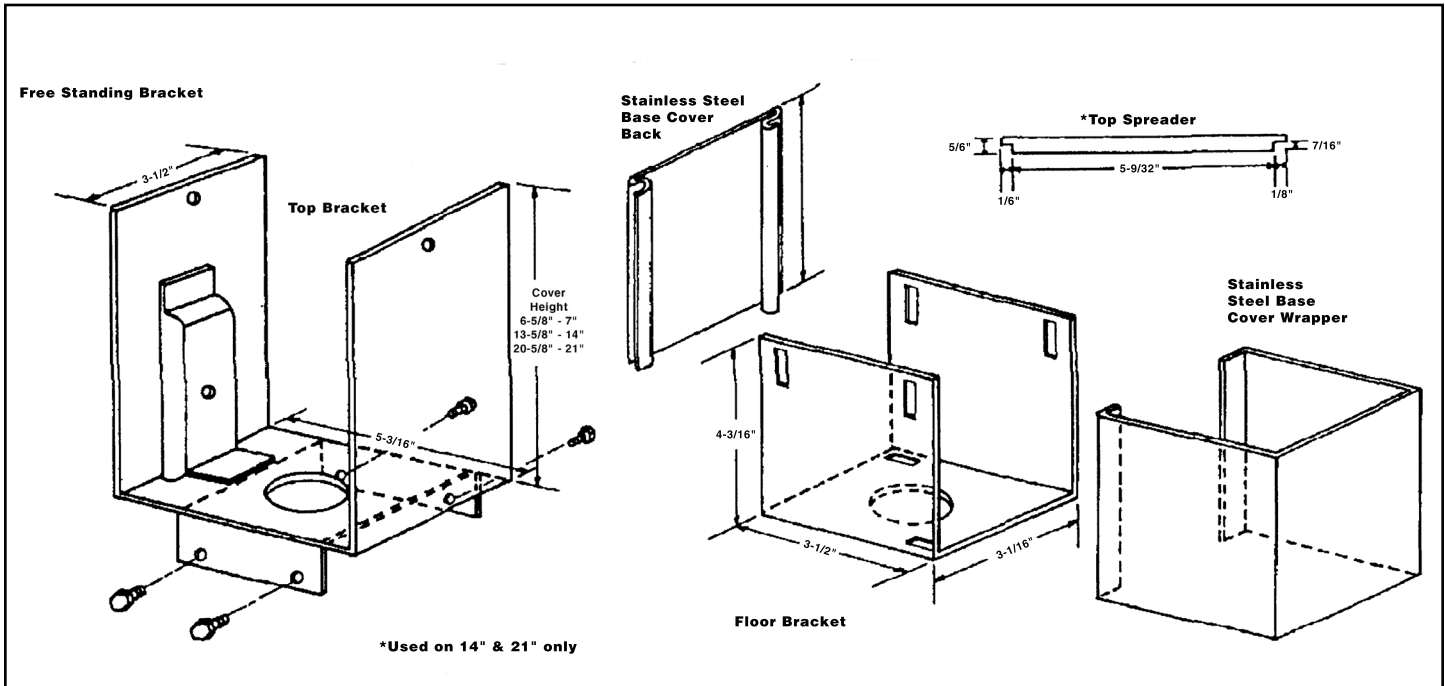
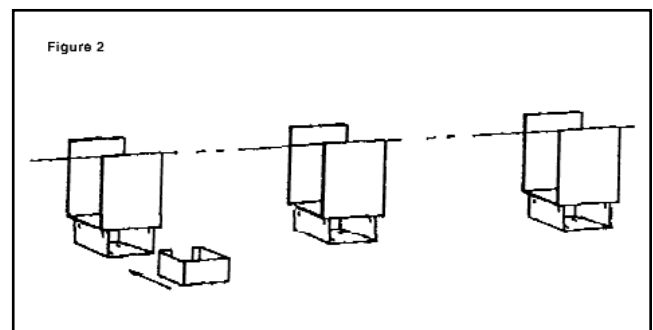
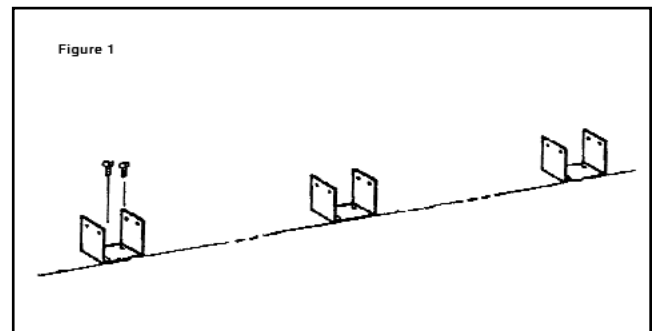




FS SERIES FREE STANDING BRACKET ASSEMBLY INSTALLATION INSTRUCTIONS



1. (Refer to Figure 1.) Determine how far off window or wall you want the unit mounted. Allow for cleaning of window when windows go to the floor.
After determining the distance from the window, snap a chalk line on floor and mount floor bracket to line. When laying out distance between bracket make sure that enclosure joints do not land on brackets.
2. Mount top of bracket on to floor bracket, fastening with screws supplied. Before tightening bolts adjust assembled brackets to all the same height then tighten bolts. For 14" & 21" high cabinets - put top spreader in place BEFORE installing cabinet.
3. (Refer to Figure 2.) Slide stainless steel base covers over bottom of bracket and snap the 2 pieces together.
4. Mount 'SC' hangers and elements.
5. Place enclosure cover over brackets and snap bottom of enclosure cover into bracket.



PUBLICATION NO. FS-40



Manufacturer reserves the right to change product specifications without notice.

PRINTED IN CANADA
HG-02/94-10/94-1M

SLANT/FIN LTD/LTEE, 6450 Northam Dr., Mississauga, Ont. L4V 1H9 (905) 677-8400 Fax: (905) 677-1829