



INTREPID TRDV Series

DIRECT VENT OIL-FIRED WATER BOILER/NO. 2 OIL

BOILER REPLACEMENT PARTS LIST

Table 1: WATER BOILER PARTS LIST, P, PT AND PPT

ITEM	DESCRIPTION	QTY	TRDV-30
1A	Casting subassembly water, extended boss less plate		432720
1B	Casting subassembly water, solid front (NO provision for tankless)		432716
2	Burner mounting door assembly (TRDV)	1	432755000
4	Target wall	1	430029
5	Bolt 3/8-16 x 1-1/4"	1	432760
7	Hex nut 3/8-16 steel	3	400328
8	Washer flat 3/8 nom. steel	3	430117
9	Blank plate, tankless	1	430031
10	Gasket 1/8 thick	1	430071
11	Hex cap nut 3/8-16 steel	6	432735
11A	Stud 3/8-16 x 1-1/4 18-8 stainless steel interrupted thread	6	432736
11B	Washer flat 3/8 stainless steel	6	432761
12	Flue collector top panel W/A	1	432711
12A	Flue collector gasket	1	432721
12B	Flue collector lower W/A	1	432710
12C	Nut KEPS 10/32	15	660611
13	Carriage bolt 1/4-20 x 2-1/2 long	1	430108
13A	Wing nut 1/4-20	1	400147
13B	Washer 1/4"	1	909783071
14	"L" Baffle	1	430885000
15	"T" Baffle	1	430886000
16	Self tapping screw, 1/4-20 x 3/4" long (taper proof)	2	432751
18	Jacket, insulated top	1	432531
19	Jacket, Insulated side	2	435123
20	Jacket, insulated rear	1	432537
21	Jacket, insulated front, water "PT & PPT"	1	435098
	Jacket, insulated front, water "P"	1	432529
21B	Jacket, front (lower)	1	430512
22	Emblem - Slant/Fin	1	401020
24	Sheet metal screw #8 x 1/2 LG. Truss Head Philips	22	970107000
25	Relief valve - H.W. 30 psi Conbraco or Watts	1	400103
26	Nipple 3/4 x 2 long (for relief valve)	1	400225
27	Drain valve 3/4 Nibco #74	1	400201
28	Reducing bushing 1-1/2 NPT x 3/4 NPT	1	902179321
29	Tridicator (0-75 psi)	1	910373061
30	Control, hi limit circ. Hon L8148A (P)	1	400096
	Control, hi-lo limit-circ. Hon L8124C1094 (PT)	1	400095
31	Well 1/2 NPT x 1-1/2"	1	410569
32	Thermostat - 24V Hon. T822D1537	1	400101
33	Primary control, Honeywell R7184B Beckett burner	1	430672
33A	Primary control Riello burner 530SE/C	1	432727
34A	Burner assembly: Riello*	1	432728
34B	Burner assembly: Beckett*	1	432729
34C	Burner assembly: Heatwise*	1	432730
35	Tankless heater assy. (optional)	1	430073
36A	Gasket, Riello burner	1	432732
36B	Gasket, Beckett burner	1	430172
36C	Gasket, Heatwise burner	1	430733
37A	Circulator, Taco 007	1	7902022
37B	Circulator, Grundfos UP-15-42F	1	7902021
37C	Circulator, B&G NRF-22	1	7902023
38	Pin retainer	2	480016
39	Screw, pin retainers	4	480049
42	Junction box	1	480071100
43	Junction box cover	1	432753
44	Screw	2	480049
45	Switch	1	432752

* Must specify firing rate when ordering burner.

Replacement Parts are available
from Slant/Fin Corporation
100 Forest Drive
Greenvale, NY 11548



PUBLICATION NO. TRDV-10PL rev.A
Printed in U.S.A. 313
Part No. 43-2734

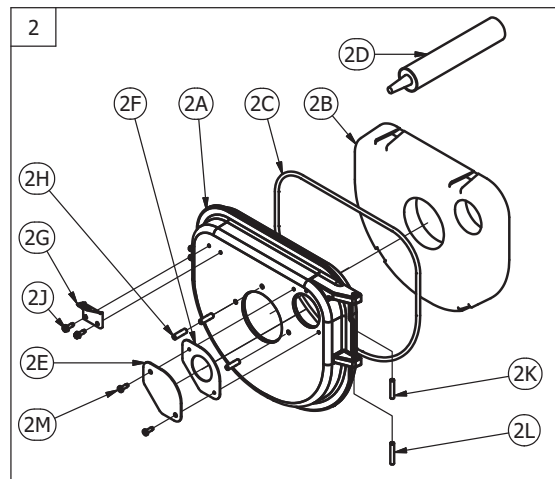
WATER BOILER (exploded view)

Refer to Table 1 for detailed description of parts

Figure 1

BURNER DOOR ASSEMBLY DETAIL (TRDV)

ITEM	QTY	PART NUMBER	DESCRIPTION
ITEM 2. P/N 432755000 BURNER DOOR ASSEMBLY (TRDV)			
2A	1	430510400	BURNER DOOR MACHINED
2B	1	430018000	INSULATION - BURNER DOOR
2C	1	432718425	FIBERGLASS SILICONE ROPE 5/16
2D	1	440631000	HI-TEMP SEALANT 10.3 OZ RED
2E	1	432748000	INSPECTION DOOR BLOCK-OFF PLATE
2F	1	432749000	INSPECTION DOOR BLOCK-OFF PLATE GASKET
2G	1	430860000	WIRE HARNESS MOUNTING BRACKET
2H	3	430107000	STUD 3/8-16 x 1 3/8 INTERRUPTED THREAD
2J	2	480049000	1/4-20 X 3/4" SLOTTED INDENTED HEX WASHER HEAD
2K	1	480017000	ROLL PIN - UPPER HINGE
2L	1	480018000	ROLL PIN - LOWER HINGE
2M	2	432751000	SCREW 1/4-20 X 3/4 TORX PAN HEAD



©Slant/Fin Corp. 2013.

SLANT/FIN CORPORATION, Greenvale, N.Y. 11548 • Phone: (516) 484-2600
FAX: (516) 484-5921 • Canada: Slant/Fin LTD/LTEE, Mississauga, Ontario

www.slantfin.com