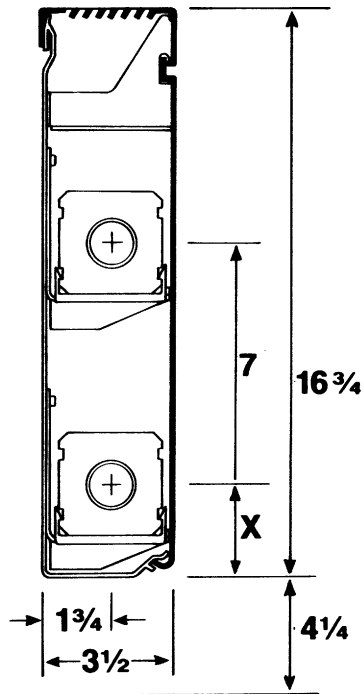




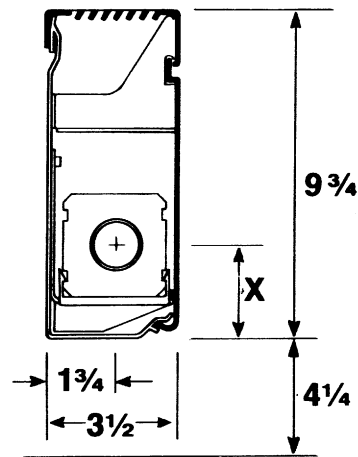
DIMENSIONS – COMMERCIAL BASEBOARD

MULTI/PAK 93

ELEMENT	X
H1	$3\frac{3}{16}$
H3	$2\frac{13}{16}$
H4	$2\frac{13}{16}$
H5X	$3\frac{3}{16}$
H6X	$3\frac{3}{16}$
E-75	$2\frac{7}{8}$



93-17



93-10

