

Now available for Multi/Pak 80



Colors to enhance any décor!

*Slant/Fin.*

# Multi/Pak 80

*Heavy duty, high output baseboard radiation for hot water or steam heating systems.*



- Made with rust resistant galvanized steel
- 18 gauge front cover resists damage
- High capacity output
- Durable and economical
- Easy to install
- Ideal for light commercial buildings, apartments, and residential applications
- Best industry value

Element options include 3/4 inch, 1 inch and 1-1/4 inch copper tube as well as 1-1/4 inch steel pipe. Multi/Pak 80 fits into hot water applications with higher flow rates and longer loop lengths. It is also ideal for steam heating applications.

MADE WITH  
COMMERCIAL GRADE,  
**RUST-RESISTANT**  
GALVANIZED STEEL!

*Ideal for commercial and industrial buildings, apartment housing and custom homes.*



Airfoil damper for fingertip room temperature control. Massive bracket supports damper, braces top panel against damage.



Beautifully contoured snap-on accessories, piano-hinged for easy access, allow perfect flush or recessed installation - rough framing or finished walls.



Rugged steel bracket supports element, clamps front panel firmly in place. Plastic cradles eliminate expansion noise.

#### 1. INTERCHANGEABLE HEATING ELEMENTS

$\frac{3}{4}$ " "regular" or high-output with jumbo fins, 1" and 1 $\frac{1}{4}$ " copper/aluminum elements allow you to select output and capacity to suit every requirement—permit higher velocities, lower pump loads, longer series-loop runs. 1 $\frac{1}{4}$ " IPS steel element is perfect for one-pipe and two-pipe steam systems.

**2. AIRFOIL DAMPER** modulates fully for fingertip control of room temperature, makes system-balancing easy. Damper deflects air away from walls, eliminates streakage...flips shut to help keep dust and dirt off the elements during summer. Concealed pivot points can't be clogged by careless painters.

**3. DOUBLE-BENT ALUMINUM FIN S** on H-3 and H-4 elements are locked together at edges, to deaden pings and clicking noises. Each fin supports the next for extra resistance to damage. Sharp corners are buried for greater handling safety.

**4. FINS WON'T LOOSEN** They are bonded to each other and to the tubing. A tight bond assures maximum heat transfer efficiency. End fins are made of aluminumized steel for extra ruggedness.

**5. EXPANSION NOISES BANISHED** Patented self-adjusting expansion cradles made of velvet-smooth plastic are clipped to fins of elements and positioned over support brackets. This eliminates noisy, metal-to-metal contact with bracket and enclosure. Ridges on both sides of cradle bottom prevent the cradle from slipping off bracket, thereby assuring permanent silent performance. Element is positively locked on the enclosure by bending tabs.

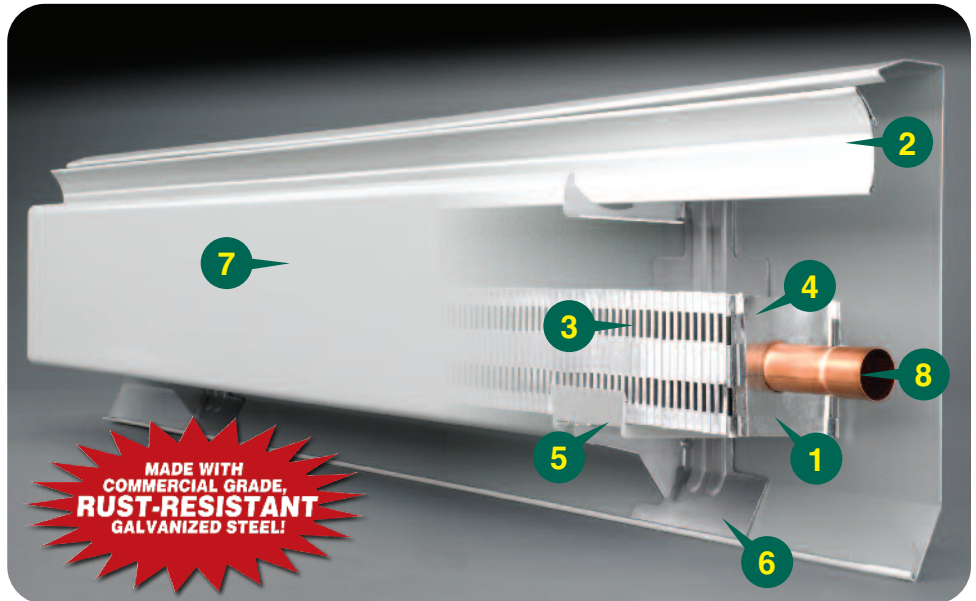
**6. EXTRA BACKBONE** New, improved high-strength brackets are "beefed up" for extra rigidity where needed...won't break or bend, can't pop out of place - yet are easily removed or replaced if necessary. Brackets reinforce top panel. Brackets support copper or steel elements.

**7. DENT-PROOF, KICK-PROOF FRONT PANEL** of extra-heavy 18 gauge steel resists damage during and after installation - assures permanent good looks.

**8. TUBE ENDS READY FOR JOINING** Tubing end is swaged to eliminate couplings, cuts soldering work in half. Steel elements are factory-threaded at both ends.

## Multi/Pak 80 features high output, low profile, heavy duty, rust resistant galvanized steel construction!

Multi/Pak 80 is engineered for maximum strength throughout. Dent-proof 18 gauge front panels. Massive steel brackets. Extra strength tubing with full mill-rated bursting strength. Fin assembly assures positive bond between fin and tube. Elements so strong you can stand on them.



### Decorator Colors for Premium Baseboard and Commercial Fin-Tube Radiation

Slant/Fin is America's best known manufacturer of baseboard heating equipment. Since 1949 contractors and homeowners have come to know and trust Slant/Fin.

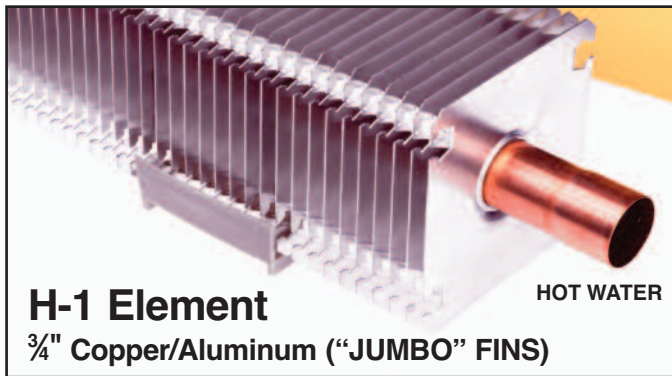
Our hot water baseboard perimeter system surrounds you and your family with heating comfort. It is the most efficient, most comfortable heating system of all! But what's more, all of our most popular Premium Baseboard and Commercial Fin-Tube Radiation models are now available in decorator colors! Perfect for home renovations or new construction!

Slant/Fin Decorator Series baseboard, in appliance-like finishes, is an affordable option to take decorating to new heights.



*We have the colors that go in any décor!*

**Specifications:** Choose from 5 elements. Each fits into universal heavy duty Multi/Pak 80 enclosure.



**H-1 Element**  
3/4" Copper/Aluminum ("JUMBO" FINS)

**81-A BASEBOARD (H-1 ELEMENT IN 80D ENCLOSURE)**  
(Heating element and enclosure purchased separately.)

WATER FLOW	PRESSURE DROP*	110°F	120°F	130°F	140°F	150°F	160°F	170°F	180°F	190°F	200°F	210°F	215°F	220°F
1 GPM	47	210	290	360	440	520	610	700	790	880	970	1060	1100	1140
4 GPM	525	230	300	380	460	550	640	740	840	930	1030	1120	1160	1200

**ELEMENT SPECIFICATIONS:** Furnish and install H-1 baseboard heating element as manufactured by Slant/Fin Corporation, consisting of 3/4" nominal copper tubing with 3" x 3/4" x .024" aluminum fins, spaced 48 per linear foot. The fins shall be evenly spaced and mechanically bonded to the tubing to lock the fins securely in place and maximize heat transfer. One end of each element tube shall be expanded to receive the unexpanded end of another, without couplings.

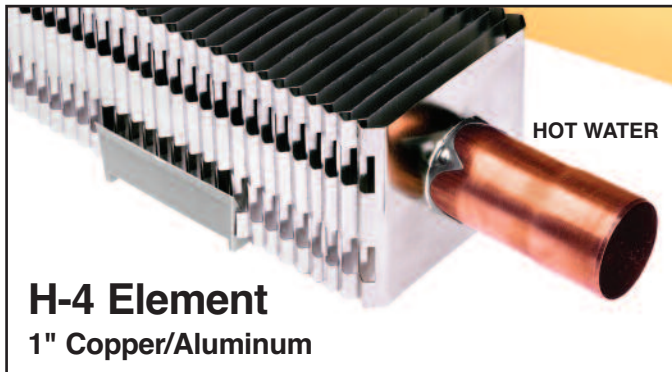


**H-3 Element**  
3/4" Copper/Aluminum ("Regular" FINS)

**83-A2 BASEBOARD (H-3 ELEMENT IN 80D ENCLOSURE)**  
(Heating element and enclosure purchased separately.)

WATER FLOW	PRESSURE DROP*	110°F	120°F	130°F	140°F	150°F	160°F	170°F	180°F	190°F	200°F	210°F	215°F	220°F
1 GPM	47	200	270	340	410	490	570	650	730	810	890	970	1010	1050
4 GPM	525	210	290	360	440	520	600	690	770	860	940	1030	1070	1110

**ELEMENT SPECIFICATIONS:** Furnish and install H-3 baseboard heating element as manufactured by Slant/Fin Corporation, consisting of 3/4" nominal copper tubing with 3 3/8" x 2 1/2" x .011" aluminum fins, bent to 2 3/4" x 2 1/2", spaced 55 per linear foot. The fins shall be evenly spaced and mechanically bonded to the tubing to lock the fins securely in place and maximize heat transfer. One end of each element tube shall be expanded to receive the unexpanded end of another, without couplings.



**H-4 Element**  
1" Copper/Aluminum

**84-A3 BASEBOARD (H-4 ELEMENT IN 80D ENCLOSURE)**  
(Heating element and enclosure purchased separately.)

WATER FLOW	PRESSURE DROP*	110°F	120°F	130°F	140°F	150°F	160°F	170°F	180°F	190°F	200°F	210°F	215°F	220°F
1 GPM	13	200	260	330	400	480	560	640	720	800	880	960	1000	1040
4 GPM	145	210	280	360	430	510	610	680	760	850	930	1010	1060	1100

**ELEMENT SPECIFICATIONS:** Furnish and install H-4 baseboard heating element as manufactured by Slant/Fin Corporation, consisting of 1" nominal copper tubing with 3 1/2" x 2 1/2" x .011" aluminum fins, bent to 3" x 2 1/2", spaced 48 per linear foot. The fins shall be evenly spaced and mechanically bonded to the tubing to lock the fins securely in place and maximize heat transfer. One end of each element tube shall be expanded to receive the unexpanded end of another, without couplings.



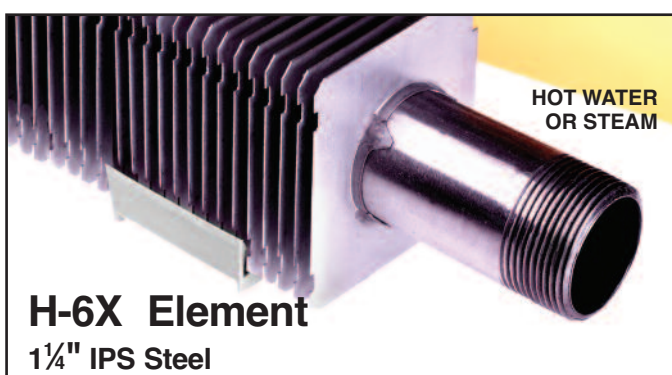
**H-5X Element**  
1 1/2" Copper/Aluminum

**85-AX BASEBOARD (H-5X ELEMENT IN 80D ENCLOSURE)**  
(Heating element and enclosure purchased separately.)

WATER FLOW	PRESSURE DROP*	110°F	120°F	130°F	140°F	150°F	160°F	170°F	180°F	190°F	200°F	210°F	215°F	220°F
1 GPM	6	190	260	320	400	470	560	650	740	830	920	1010	1060	1100
4 GPM	63	200	280	350	420	500	590	690	780	880	970	1070	1120	1160

STEAM RATING: 1130 Btu/hr/ft (4.7 sq. ft. EDR)

**ELEMENT SPECIFICATIONS:** Furnish and install H-5X baseboard heating element as manufactured by Slant/Fin Corporation, consisting of 1 1/2" nominal copper tubing with 3" x 3/4" x .020" aluminum fins, spaced 48 per linear foot. The fins shall be evenly spaced and mechanically bonded to the tubing to lock the fins securely in place and maximize heat transfer. One end of each element tube shall be expanded to receive the unexpanded end of another, without couplings.



**H-6X Element**  
1 1/4" IPS Steel

**86-AX BASEBOARD (H-6X ELEMENT IN 80D ENCLOSURE)**  
(Heating element and enclosure purchased separately.)

WATER FLOW	PRESSURE DROP*	110°F	120°F	130°F	140°F	150°F	160°F	170°F	180°F	190°F	200°F	210°F	215°F	220°F
1 GPM	3	-	-	-	-	410	490	640	640	710	790	860	900	940
4 GPM	41	-	-	-	-	430	520	590	680	750	840	910	950	990

SLANT/FIN STEAM RATING: 980 Btu/hr/ft (4.10 sq. ft. EDR)

**ELEMENT SPECIFICATIONS:** Furnish and install H-6X baseboard heating element as manufactured by Slant/Fin Corporation, consisting of 1 1/4" IPS steel pipe (Schedule 40), with 3" x 3/4" x .028 aluminized steel fins, spaced 48 per linear foot. The fins shall be evenly spaced and mechanically bonded to the tubing to lock the fins securely in place and maximize heat transfer. Both ends of each element pipe shall be threaded with IPS standard threads.

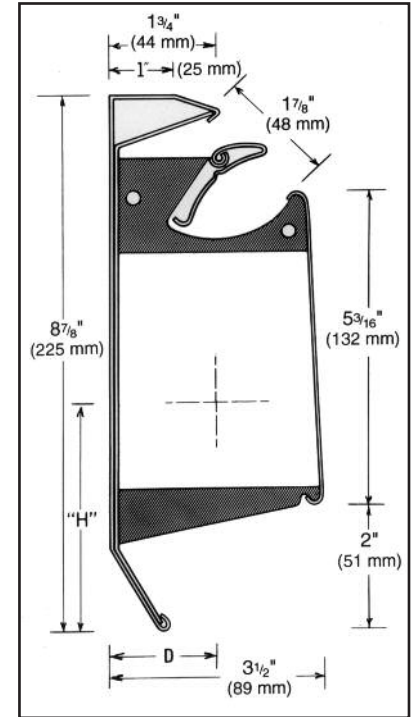
NOTE: Ratings are for element installed in Multi/Pak 80 baseboard enclosure as shown in drawing, with damper open. Ratings are based on active finned length [3 in. less than overall length] and include 15% heating effect factor. Use 4 gpm ratings only when flow is known to be equal to or greater than 4 gpm, otherwise, 1 gpm ratings must be used.

## Cover Assembly

Universal enclosure for use with any H-Series heating element

### COVER ASSEMBLY SPECIFICATIONS:

Furnish and install Multi/Pak 80 baseboard cover assembly as manufactured by Slant/Fin Corporation, consisting of one-piece 22-gauge bottom galvanized steel, back and top panel, and one-piece 18-gauge galvanized steel front panel, formed of cold rolled steel. Bottom and top edges of back panel shall be formed to provide channels along entire length, to receive full-height support brackets. Brackets shall be die-formed of electro galvanized, 16-gauge quarter-hard cold rolled steel, for rigid bracing and spring locking. Bracket spacing within cover assembly shall not exceed 2 feet. Slide-action expansion cradles, formed of polypropylene, shall be inserted between heating element and support bracket. Cradles shall protect element bottom and sides from contact with brackets or cover, confining element to free lateral expansion for noiseless operation. Room-control damper vane, of quarter-hard cold rolled steel, shall be provided for each length of enclosure, and shall modulate fully and freely, yet retain any setting through its arc. Support bracket shall be formed to retain and support damper vane. All cover components shall be painted in Nu-White oven baked melamine cross-linked polyester enamel.

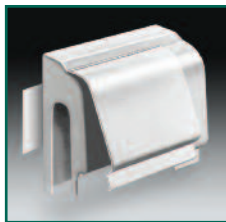


### Brackets Per Length (Complete assembly and enclosure only)

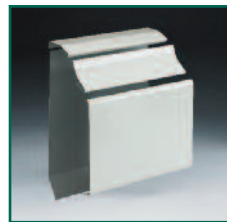
Length, ft.	2 - 3-1/2	4 - 5	6 - 8	10	12 - 14
<b>Brackets</b>	2	3	4	6	8

Element	"H"	"D"
H-1	3 1/8"	1 1/4"
H-3	3 1/2"	1 1/2"
H-4	3 1/2"	1 3/4"
H-5X	3 3/8"	1 3/4"
H-6X	3 3/8"	1 3/4"

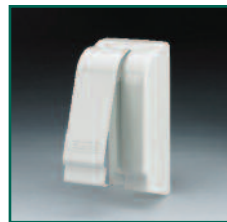
## Extendable snap-on accessories



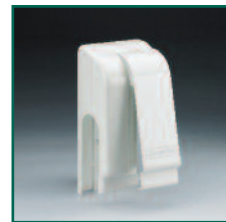
**Zone Valve Box**  
holds zone valve



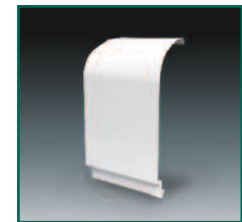
**FILLER SLEEVE**  
(7" & 14" available)  
Not available in Decorator Colors



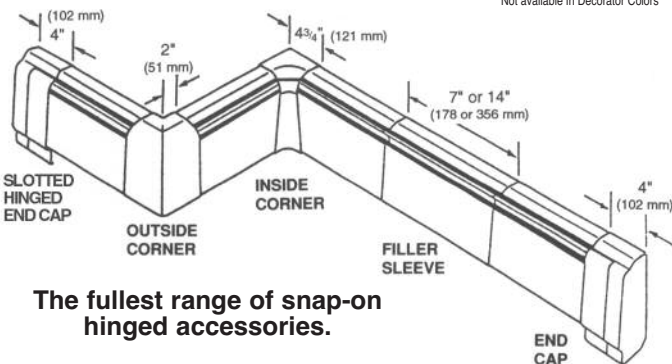
**HINGED END CAP**  
allows 3" adjustment



**SLOTTED HINGED END CAP**  
allows 3" adjustment



**SOLID WALL TRIM/SPLICE PLATE**  
2" or 4" available



The fullest range of snap-on hinged accessories.



**HINGED VALVE COVER**  
allows up to 7" adjustment



**HINGED INSIDE CORNER**  
90° or 135°



**OUTSIDE CORNER**

