

Slant/Fin[®]

Multi/Pak[®] 93 & 95

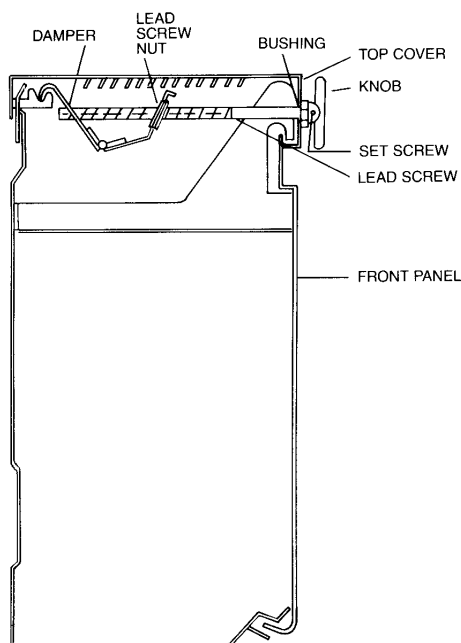
INSTALLATION INSTRUCTIONS

Use the following table for recommended number of bracket-hanger assemblies for each piece of enclosure and accessory.

ENCLOSURE LENGTH	NUMBER OF BRACKET-HANGERS	BRACKETS ONLY
Up to 5'	2	—
6' Through 8'	3	—
<u>ACCESSORIES</u>		
Valve cover, inside Corner, Outside corner	—	2

TELESCOPIC ACCESSORIES: These accessories telescope up to 2" of total length dimension. Wall to wall dimension, figured at job site, is not affected.

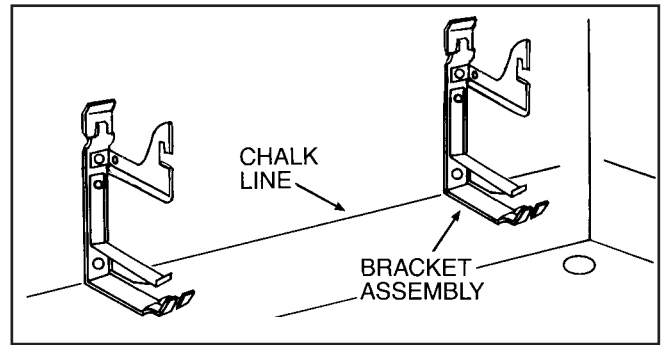
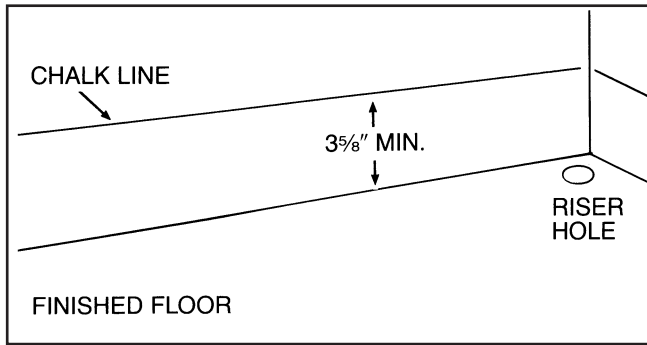
DAMPER: When specified, the damper is factory installed except the damper knob and lead screw assembly. See instructions below



OPTIONAL DAMPER KNOB & LEAD SCREW ASSEMBLY INSTRUCTIONS

1. Screw LEAD SCREW into LEAD SCREW NUT about halfway, the unthreaded end towards the BUSHING in the TOP COVER.
2. Line up LEAD SCREW with BUSHING HOLE by sliding DAMPER right or left.
3. Swing DAMPER towards rear of TOP COVER (away from BUSHING) and guide LEAD SCREW through BUSHING HOLE until stop on LEAD SCREW is against BUSHING and unthreaded part of LEAD SCREW protrudes through front of TOP COVER.
4. Place KNOB onto LEAD SCREW and line up allen head SET SCREW in KNOB with flat LEAD SCREW and tighten SET SCREW with an allen wrench.

MULTI/PAK 93 INSTALLATION WITHOUT OPTIONAL HANGING STRIP

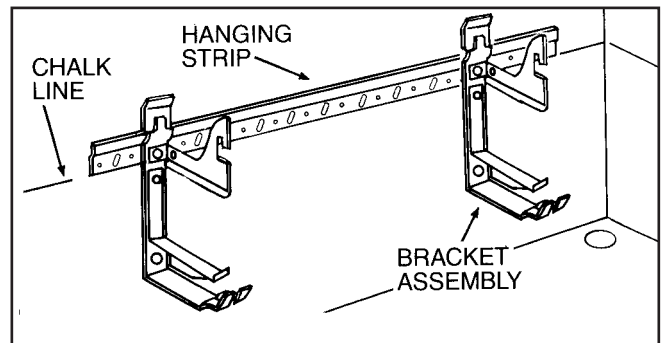
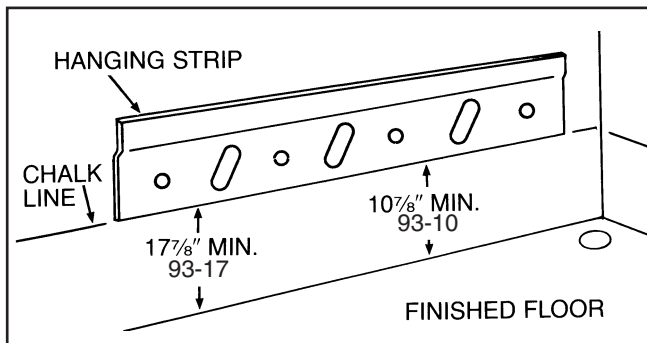


Step 1: Mark chalk line.

Step 2: a) Attach hangers to brackets with screws furnished.
b) Mount assembly to wall at chalk line.
c) Align hangers for necessary pitch.

Step 3: a) Install elements, connect and test system.
b) Snap on top cover...insert top lip between wall and bracket.
Pull down and back until bottom lip snaps into slot in bracket.
c) Snap on front cover...insert top lip behind bottom lip of top cover. Pull down and back until bottom lip snaps onto bottom of bracket.
d) Follow through with accessories.

MULTI/PAK 93 INSTALLATION WITH OPTIONAL HANGING STRIP



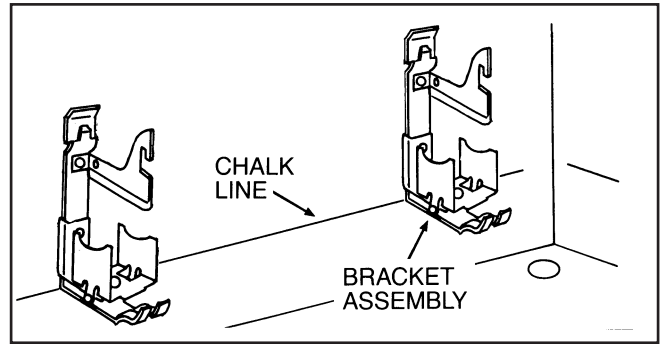
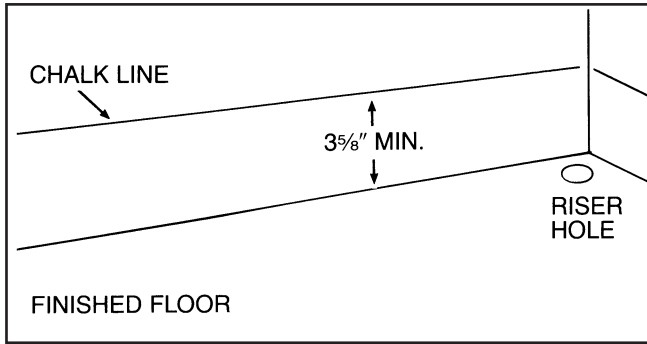
Step 1: Mark chalk line.

Step 2: Install hanging strip at chalk line.

Step 3: a) Attach hangers to brackets with nuts furnished
b) Hang brackets on hanging strip and mount bracket assembly to wall.
c) Align hanger for necessary pitch.

Step 4: a) Install elements, connect and test system
b) Snap on top cover...insert top lip between wall and bracket.
Pull down and back until bottom lip snaps into slot in bracket.
c) Snap on front cover...insert top lip behind bottom lip of top cover. Pull down and back until bottom lip snaps onto bottom of bracket.
d) Follow through with accessories.

MULTI/PAK 95 INSTALLATION WITHOUT OPTIONAL HANGING STRIP

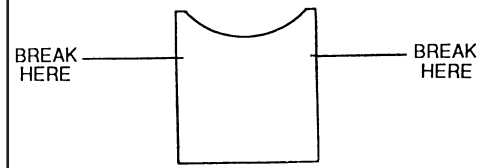


Step 1: Mark chalk line.

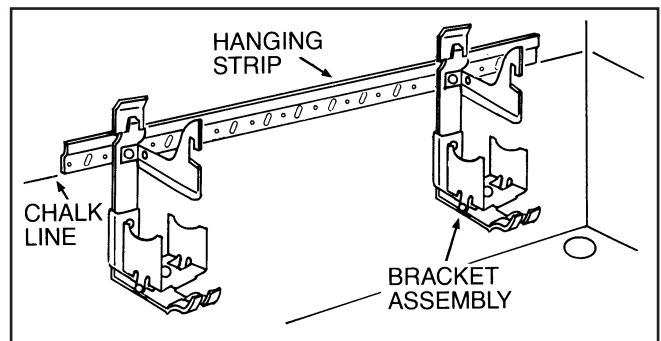
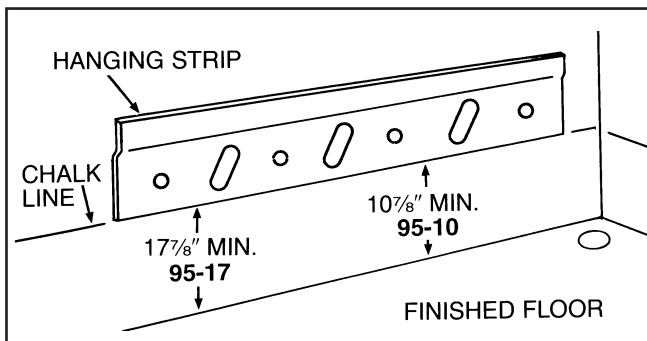
Step 2: a) Attach hangers to brackets with screws furnished.
b) Mount assembly to wall at chalk line.
c) Align hangers for necessary pitch.

Step 3: a) Install elements, connect and test system.
b) Snap on top cover...insert top lip between wall and bracket. Pull down and back until bottom lip snaps into slot in bracket.
c) Snap on front cover...insert top lip behind bottom lip of top cover. Pull down and back until bottom lip snaps onto bottom of bracket.
d) Follow through with accessories.

NOTE: S-832 (2" steel) element requires that the cradle be broken off at curved slot with pliers by bending back and forth until break occurs.



MULTI/PAK 95 INSTALLATION WITH OPTIONAL HANGING STRIP



Step 1: Mark chalk line.

Step 2: Install hanging strip at chalk line.

Step 3: a) Attach hangers to brackets with screws furnished
b) Hang brackets on hanging strip and mount bracket assembly to wall.
c) Align hanger for necessary pitch.

Step 4: a) Install elements, connect and test system
b) Snap on top cover...insert top lip between wall and bracket. Pull down and back until bottom lip snaps into slot in bracket.
c) Snap on front cover...insert top lip behind bottom lip of top cover. Pull down and back until bottom lip snaps onto bottom of bracket.
d) Follow through with accessories.



Printed in U.S.A. 1115 • Part No. 294006 • Publication No. 93/95-40

SLANT/FIN CORPORATION, Greenvale, N.Y. 11548 • Phone: (516) 484-2600
FAX: (516) 484-0933 • Canada: *Slant/Fin LTD/LTEE, Mississauga, Ontario*

www.slantfin.com