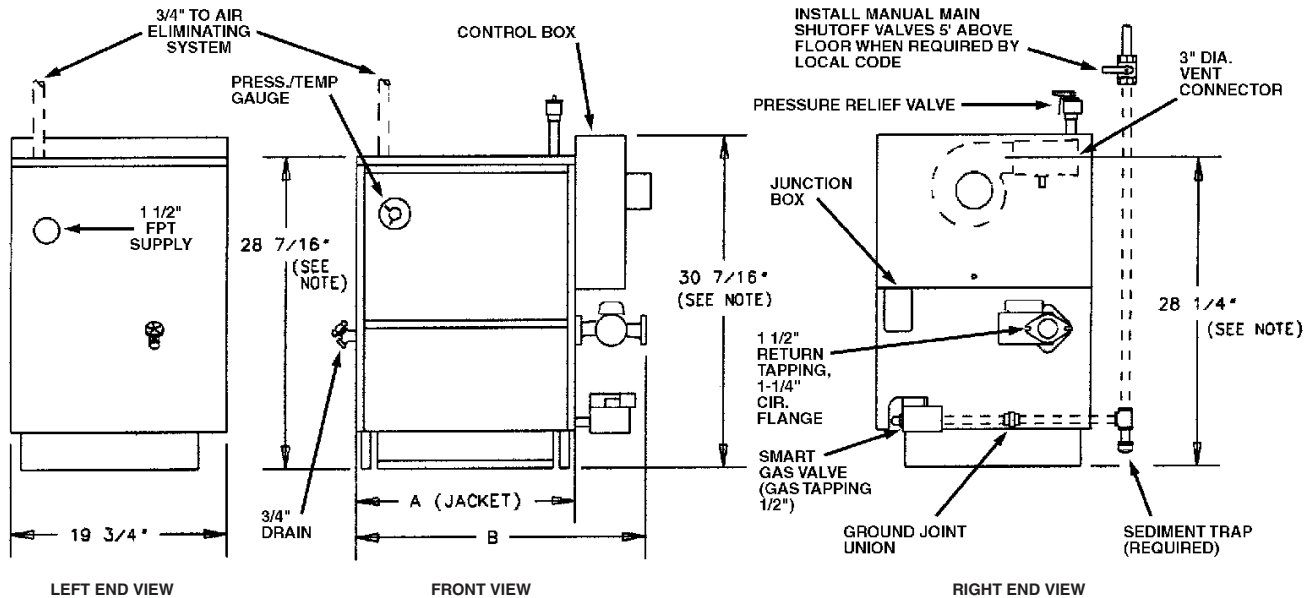




# DIMENSIONS – GAS BOILERS

## VICTORY VHS SERIES



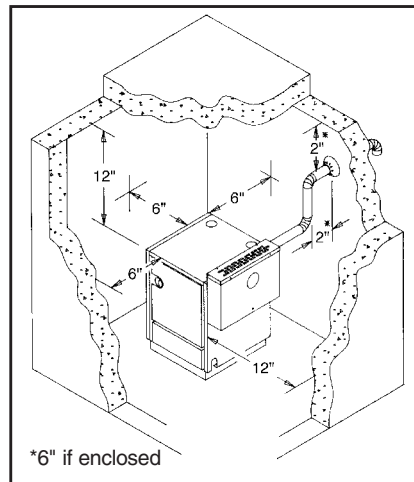
**NOTE:** Height dimensions increase by 1/4" and depth increases to 22 1/4" when combustible floor kit is used.

Dimensions	VHS-30	VHS-60	VHS-90	VHS-120	VHS-150	VHS-180
"A"	8 1/8"	11 1/8"	14 1/8"	17 1/8"	20 1/8"	23 1/8"
"B"	14 1/8"	17 1/8"	20 1/8"	23 1/8"	26 1/8"	29 1/8"

Supply water tapping	1 1/2"
Circulator return flange*	1 1/4"
Gas tapping, natural or propane	1/2"

\* When not equipped with circulator, boiler 1-1/2" return tapping.  
Crate dimensions: 34-5/8" length, 22-1/2" width, 33-1/2" height.

^ AL 29-4C is a registered trademark of Allegheny Ludlum Corp.



**Minimum clearance dimensions**