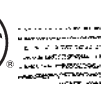


Slant/Fin[®] VSL

Modulating Condensing Gas Boiler Model VSL-160B & VSL-160C Boiler Replacement Parts List

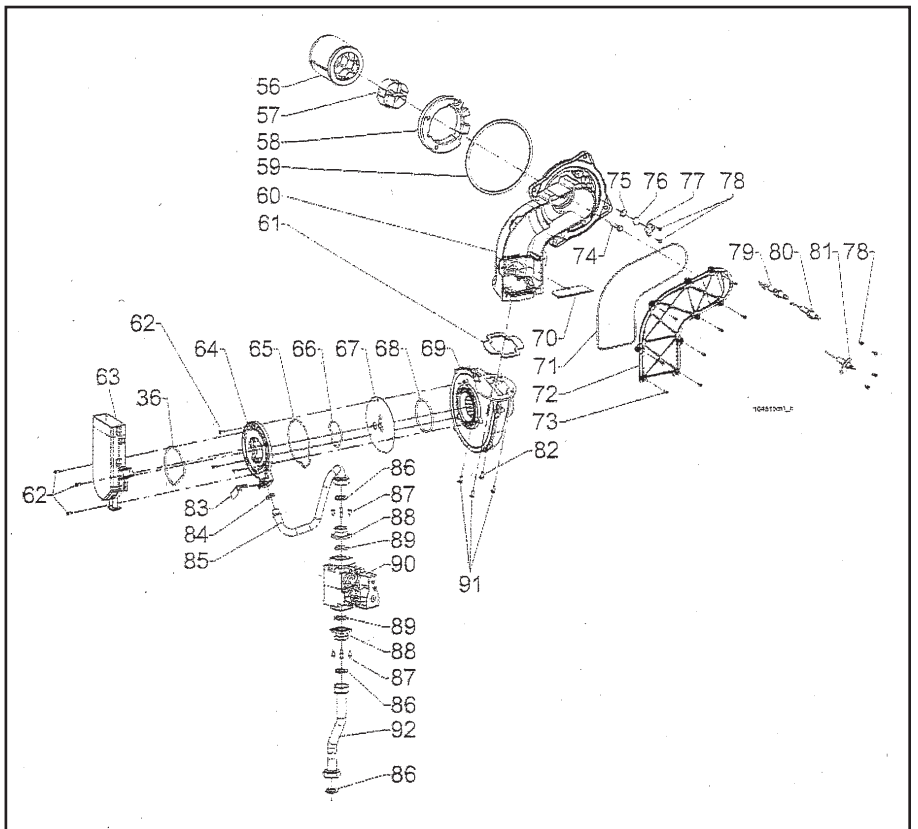
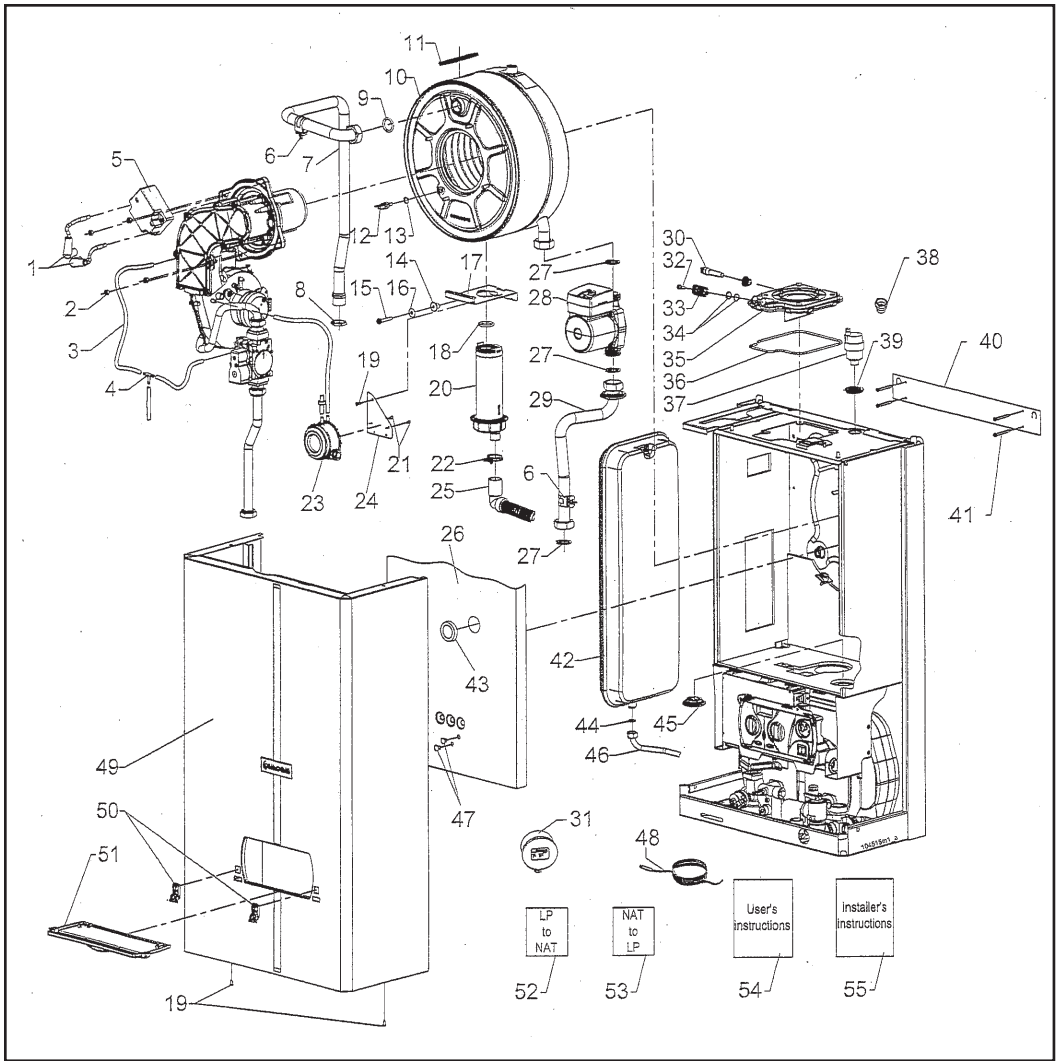


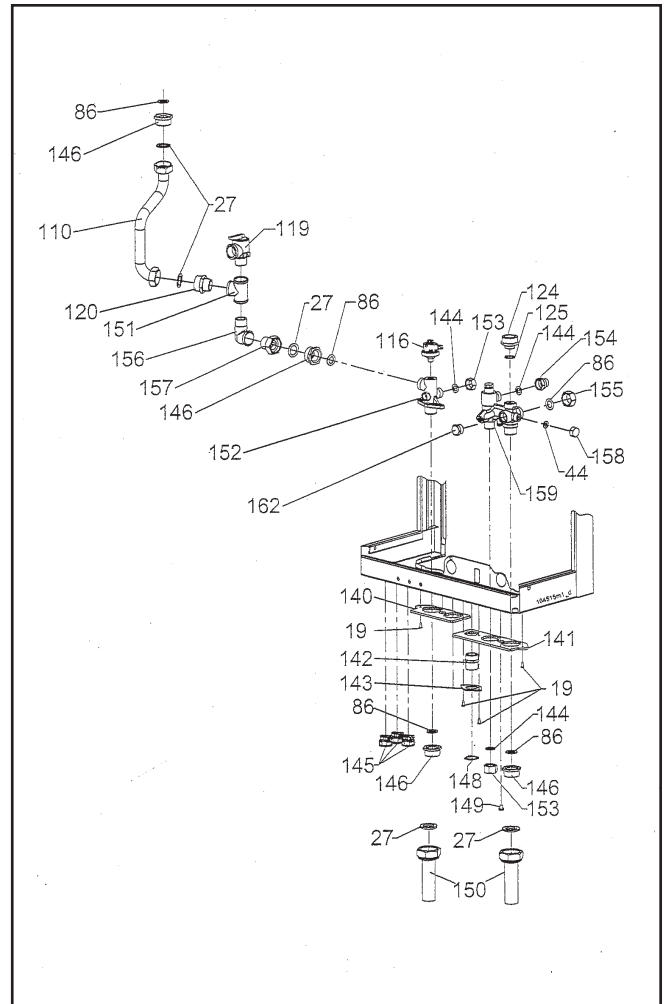
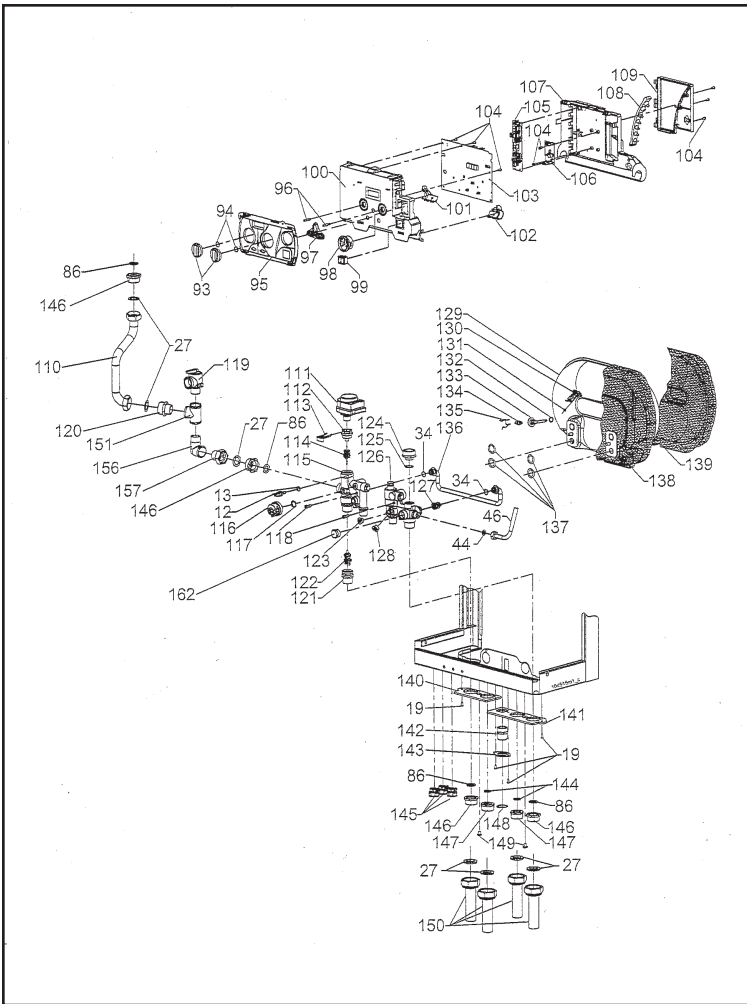
This parts list must be left with owner, hung on or adjacent to the boiler. Owner should retain parts list for future reference.

Item No.	Description	Part #	Reference #
1	CABLE UL IGNITOR CONN 90` L155	81 9010 000	60504206
2	NUT ZINC COATED 6 MA	81 9011 000	60802005
3	SILICONE PIPE D 4X8	81 9012 000	60320001
4	TEE FOR DRY WATER CONDENSATION	81 9013 000	61405036
5	SPARK GENERATOR NO CABLE UL	81 9014 000	60510022
6	SENSOR NTC 10 KOHM A KLIP DIAM.22	81 9015 000	62111016
7	COPPER PIPE D22 M/F 3/4"G-1"G	81 9016 000	62622011
8	3/4" RING NUT	81 9017 000	60802018
9	O-RING NBR 2.62 X 20.63	81 9018 000	60702030
10	PRIMARY HEAT EXCHANGER C.R.R. ASME	81 9019 000	62649004
11	GASKET EPDM X OSSIDD D84 H7	81 9020 000	60702047
12	SENSOR NTC 10 KOHM 1/8"	81 9021 000	62111017
13	GASKET COPPER 1/8" SP.1.5	81 9022 000	60803027
14	SILICON TAP 81 9023 000 61405025 15 SCREW 6X35 ZINC TC-CR	81 9024 000	60801116
16	WASHER 6X18X1.5 PIA-ZINC-LAR UNI6593	81 9025 000	60803011
17	BRACKET SIPHON L84 H130 P32	81 9026 000	60406074
18	O-RING 134 EPDM 3.53 X 25.8	81 9027 000	60702055
19	SCREW SELFTAPPING 3.9 X 9.5 CROSS HEAD	81 9028 000	60801043
20	SIPHON 81 9029 000 62630136 21 SCREW SELFTAPPING 2.9 X 6.5 CROSS HEAD	81 9030 000	60801100
22	SPRING 28.7 81 9031 000 60806020 23 PRESSURE SWITCH ON 4.5 INWC	81 9032 000	62113041
24	BRACKET PRESSURE SWITCH	81 9033 000	60406092
25	POLIETHYLENE PIPE L=1000	81 9034 000	60322012
26	SEALING CHMBER DOOR	81 9035 000	60402037
27	1"G GASKET	81 9036 000	60701001
28	PUMP GRUNDFOS UP 15/58U BRUTE USA	81 9006 000	62301031
29	COPPER PIPE D22 RETURN SEALING CHAMBER	81 9038 000	62622012
30	SENSOR NTC 10K BAIO	81 9039 000	62111015
31	OUTDOOR SENSOR	81 9040 000	62110067
32	SCREW 4.8X19 ZINC AF TC-CR UNI6954	81 9041 000	60801132
33	PLUG FOR FLUE AIR FITTING	81 9042 000	61405164
34	O-RING 2050 EPDM 1.78 X 12.42	81 9043 000	60702052
35	DISCHARGE RACCORD PP	81 9044 000	61405160
36	GASKET ROUND SPONGE D.3.5 MM IP44 S3	81 9045 000	60702035
37	AUTOMATIC AIR VENT	81 9046 000	61206001
38	3/8G MALE TO 1/8 NPT FEMALE BUSHING	81 9047 000	60101119
39	GASKET EPDM D38 F20 SP6	81 9048 000	60703033
40	45XX WALL MOUNTING BRACKET	81 9049 000	60411085
41	SCREW SELFTAPPING 5X50 WOOD	81 9050 000	60801097
42	EXP TANK LT. 8 561X203X80 RETT.	81 9051 000	62201005
43	GLASS WINDOW WITH GASKET	81 9052 000	60815012
44	3/8" G GASKET	81 9053 000	60701005
45	FAIRLEAD 6 POLES SILICON	81 9054 000	61102006
46	EXP TANK PIPE	81 9055 000	62625064
47	PASTIC CAP TPP 8.5	81 9056 000	61405219
48	TANK SENSOR	81 9057 000	62110071
49	EXTERNAL JACKET 500X840X245	81 9058 000	62610067
50	DOOR SUPPORT	81 9059 000	61405167
51	DOOR ABC	81 9060 000	62610065
52	LP TO NATURAL CONVERSION KIT FOR 45 SERIES	81 9061 000	62630152
53	NATURAL TO LP CONVERSION KIT FOR 45 SERIES	81 9062 000	62630151
54	45XX USER'S INSTRUCTIONS	81 9063 000	62417004
55	45XX INSTALLER'S INSTRUCTIONS	81 9064 000	62403466
56	BURNER HEAD	81 9065 000	62629036
57	EXTRUSION L.25MM	81 9066 000	61504029
58	THERM. INSULATION VERMICULITE D117 F74 SP21.5	81 9067 000	60909008
59	GASKET SIL. D157 F145 H6.7	81 9068 000	60703032
60	BASE MANIFOLD AIR ALUMINUM	81 9069 000	61404108
61	GASKET SIL. MANIFOLD FAN D83 SP3.5	81 9070 000	60703030
62	SCREW SELFTAPPING 4X12 TC S-TT UNI-8112	81 9071 000	60801136
63	MANIFOLD AIR CUTTED	81 9072 000	62651016
64	MIXER AIR/GAS "COSMOMIX"	81 9073 000	61404114
65	O-RING 3350 NBR 2.62 X 88.57	81 9074 000	60702049
66	O-RING 3350 NBR 2.62 X 50.47	81 9075 000	60702048
67	DIAPHAGM COSMOMIX 9 HOLES D.10	81 9076 000	60408261
68	O-RING 165 NBR 3.53 X 61.91	81 9077 000	60702056
69	FAN 45 KW USA	81 9078 000	61901029
70	BACK FLUE-GASES PREVENTER	81 9079 000	61405174
71	O-RING 3825 SIL 2.62 X 209.22	81 9080 000	60702051
72	COVER MANIFOLD AIR ALUMINUM	81 9081 000	61404119
73	SCREW SELFTAPPING 4X10 TC S-TT UNI-8112	81 9082 000	60801080
74	SELFTAPPING BOLT 6.3X38	81 9083 000	60801111
75	GASKET FRIZITE D15.5 F11.5 SP1.5	81 9084 000	60701013
76	GLAS PIREX D15.5 SP 3.3	81 9085 000	60815011
77	FLANGE L21.2 H34	81 9086 000	60404253
78	SCREW SELFTAPPING 4X8 TC S-TT UNI-8112	81 9087 000	60801081
79	LEFT IGNITION ELECTRODE	81 9088 000	60505022

When ordering replacement parts: specify the model number, serial number and gas by name (natural or propane).
For replacement parts, heating contractors should contact their Slant/Fin boiler distributor.

Item No.	Description	Part #	Reference #
80	RIGHT IGNITION ELECTRODE	81 9089 000	60505023
81	DETECTION ELECTRODE	81 9090 000	60505024
82	SCREW 5X12 EXAGONAL HEAD	81 9091 000	60801102
83	SPRING MIXER	81 9092 000	60406069
84	O-RING 3056 NBR (118) 2.62X13.95	81 9093 000	60702050
85	GAS PIPE (SIT) USA	81 9094 000	62624125
86	GASKET 3/4P 24X15X2 KLINSIL	81 9095 000	60701006
87	SCREW 4X10 ZINC TC-CR	81 9096 000	60801014
88	FLANGE GAS 32X32 3/4P	81 9097 000	60101224
89	O-RING 130 2.62 X 22.22	81 9098 000	60702029
90	GAS VALVE SIGMA848 120V	81 9099 000	61201040
91	BOLT 5X 12 CROSS HEAD	81 9100 000	60801021
92	PIPE D18 F/F 3/4P-3/4P SIT USA	81 9101 000	62623249
93	CONTROL KNOB S3	81 9102 000	62103009
94	O-RING NBR 1.6 X 11.1	81 9103 000	60702041
95	FRONT INTERFACE	81 9104 000	61405203
96	TREE POTMETER-KNOB	81 9105 000	61405151
97	KEYS RUBBER 3 POSITION	81 9106 000	61405190
98	PRESSURE GAUGE DIAM.38-1/4" PSI	81 9107 000	62102009
99	GAS VALVE SERVICE SWITCH	81 9108 000	60506019
100	BASE ELECTRICAL BOX	81 9109 000	61405184
101	FAIRLEAD SX	81 9110 000	61405186
102	FAIRLEAD DX	81 9111 000	62405188
103	POWER CONTROL BOARD PHC 120V	81 9112 000	62110076
104	SCREW 4X8 ZINC TC-CR DIN4042	81 9113 000	60801138
105	JUNCTION BOARD 45	81 9114 000	60507056
106	INTERFACE OPENTERM	81 9115 000	62118015
107	COVER ELECTRICAL BOX	81 9116 000	61405185
108	FAIRLEAD 7 EXIT	81 9117 000	61103011
109	COVER JUNCTION BOX	81 9118 000	61405189
110	COPPER PIPE D.22 SUPPLY SEALING CHAMBER	81 9119 000	62622034
111	3 WAY VALVE MOTOR 120V	81 9120 000	61203015
112	PLUG POSITION BODY OT.	81 9121 000	61202024
113	SPRING FORK 3V	81 9122 000	60808002
114	UPPER PISTON	81 9123 000	61202027
115	HYDRONIC SUPPLY GROUP.	81 9124 000	61408005
116	HEATING PRESSURE SWITCH	81 9125 000	62113034
117	GASKET COPPER 1/4P	81 9126 000	60704003
118	SCREW 5X18 ZINC TC-ES-INC UNI5931	81 9127 000	60801134
119	ASME SAFETY RELIEF VALVE	81 9128 000	61205010
120	BRASS NIPPLE 1"-3/4"	81 9129 000	60110003
121	COVER PISTON HEATING	81 9130 000	61202025
122	PISTON HEATING SIDE	81 9131 000	61202028
123	PLUG BRASS 1/4P M WITH O-RING	81 9132 000	60107005
124	NIPPLE OT 1"-22X1.5MM	81 9133 000	60110028
125	O-RING 2075 EPDM 1.78 X 18.77	81 9134 000	60702036
126	HYDRONIC RETURN GROUP.	81 9135 000	61408007
127	BY-PASS VALVE	81 9136 000	61202026
128	3/8"MALE CAP	81 9137 000	60701006
129	DOMESTIC HEAT EXCHANGER "ACQUAJET"	81 9138 000	62653003
130	SENSOR NTC 10 KOHM KLIP WITH SCREW	81 9139 000	62110052
131	NUT ZINK COATED 4MA	81 9140 000	60802008
132	O-RING 3037 EPDM 2.62 X 9.19	81 9141 000	60702053
133	PURGING PIPE	81 9142 000	62628001
134	PURGING VALVE M10X1	81 9143 000	61206011
135	FORK BY-PASS PIPE	81 9144 000	60808003
136	BY-PASS PIPE	81 9145 000	60305073
137	O-RING 2075 EPDM 3.53 X 18.64	81 9146 000	60702054
138	FRONT THERM. INSULATION "ACQUAJET"	81 9147 000	60901022
139	REAR THERM. INSULATION "ACQUAJET"	81 9148 000	60901023
140	BRACKET EXAGONAL HOLES SHORT	81 9149 000	60440008
141	BRACKET EXAGONAL HOLES LONG	81 9150 000	60440009
142	NIPPLE OTT 3/4NPT-3/4P USA	81 9151 000	60110025
143	BRACKET EXAGONAL HOLES SMALL	81 9152 000	60411117
144	1/2" G GASKET	81 9153 000	60701004
145	FAIRLEAD PA 107 SCREW HILO 3.5X14.5	81 9154 000	61101001
146	CONNECTION BRASS 3/4P TO 1P	81 9155 000	60101011
147	CONNECTION BRASS 1/2P TO 1P	81 9156 000	60101225
148	3/4" NUT	81 9157 000	60802018
149	SCREW 6X8 ZINC TC-CR DIN7985	81 9158 000	60801135
150	COPPER PIPE 1"GAS TO 3/4"	81 9159 000	60310002
151	BRASS 3/4P FEMALE TEE	81 9160 000	61407001
152	HYDRONIC SUPPLY GROUP ONLY HEAT	81 9161 000	61408012
153	1/2P CAP	81 9162 000	60101124
154	1/2"-1/4" FF BRASS FITTING	81 9163 000	60101193
155	PLUG BRASS 3/4P F	81 9164 000	60107014
156	BRASS ELBOW 3/4P MF	81 9165 000	60101168
157	3/4 NUT	81 9166 000	60113003
158	PLUG BRASS 3/8P F	81 9167 000	60107015
159	HYDRONIC RETURN GROUP ONLY HEAT	81 9168 000	61408009
162	BRASS 1/2P MALE CAP	81 9169 000	60107019





OPTIONAL VENT SYSTEM PARTS

Split system venting components

ITEM	SLANT/FIN PART #	REFERENCE #	DESCRIPTION
1	81 9001 000	62617286	Boiler adaptor for split system (80 MM)
2	81 9002 000	62617303	80 MM to 3 1/2" (CPVC pipe) adaptor
3	81 9003 000	62617244	90° degree M/F elbow (80 MM) for polypropylene pipe

Concentric system venting components

ITEM	SLANT/FIN PART #	REFERENCE #	DESCRIPTION
1	81 9004 000	62617287	Concentric venting kit (see note)
2	81 9005 000	62617304	Concentric vertical termination

NOTE: Concentric venting kit consists of following items-
 Boiler adaptor for concentric venting
 Concentric pipe, 3 ft long
 Concentric pipe, 3 ft long with sidewall termination
 90 degree concentric elbow

©Slant/Fin Corp. 2011.

Slant/Fin®

SLANT/FIN CORPORATION, Greenvale, N.Y. 11548 • Phone: (516) 484-2600
 FAX: (516) 484-5921 • Canada: Slant/Fin LTD/LTEE, Mississauga, Ontario

www.slantfin.com