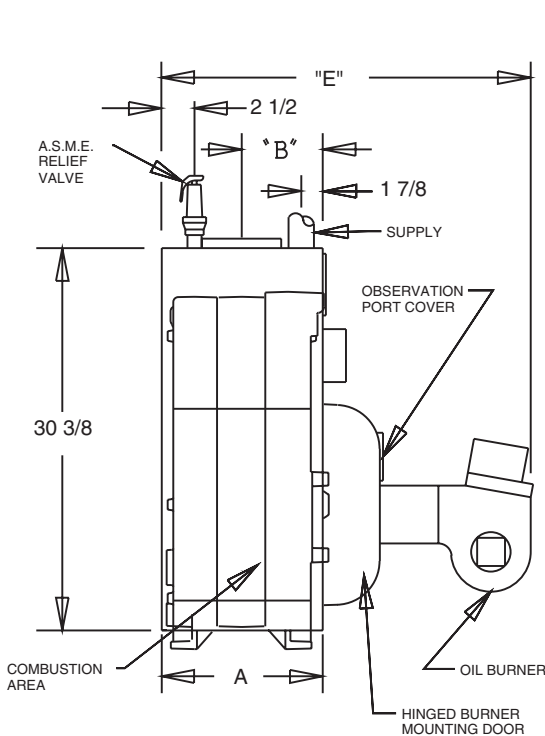


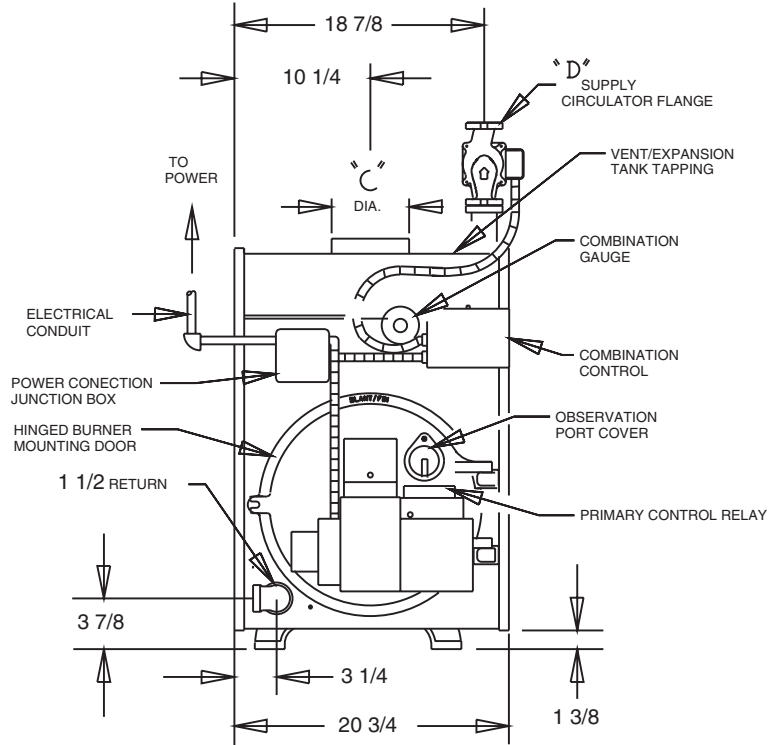


DIMENSIONS – OIL BOILERS

XL-2000



LEFT END VIEW



FRONT VIEW



| BOILER MODEL NO. | DIMENSIONS | | | | |
|------------------|-----------------------------------|-----------------------------------|----------------------|----------------------------------|----------------------------------|
| | BOILER LENGTH "A" | FRONT TO FLUE "B" | FLUE COLLAR DIA. "C" | CIRCULATOR SUPPLY FLANGE "D" NPT | APPROX. OVERALL LENGTH "E" |
| XL-20 | 8 ¹ / ₁₆ " | 4 ⁹ / ₁₆ " | 6" | 1 ¹ / ₄ " | 25 ³ / ₈ " |
| XL-30H | 12 ³ / ₈ " | 6 ⁵ / ₁₆ " | 6" | 1 ¹ / ₄ " | 28 ⁷ / ₈ " |
| XL-30 | 12 ³ / ₁₆ " | 6 ⁵ / ₁₆ " | 6" | 1 ¹ / ₄ " | 28 ⁷ / ₈ " |
| XL-40H | 15 ¹ / ₁₆ " | 8 ¹ / ₁₆ " | 7" | 1 ¹ / ₄ " | 32 ³ / ₈ " |
| XL-40 | 15 ¹ / ₁₆ " | 8 ¹ / ₁₆ " | 7" | 1 ¹ / ₄ " | 32 ³ / ₈ " |
| XL-50 | 19 ³ / ₁₆ " | 9 ¹³ / ₁₆ " | 8" | 1 ¹ / ₂ " | 35 ⁷ / ₈ " |

