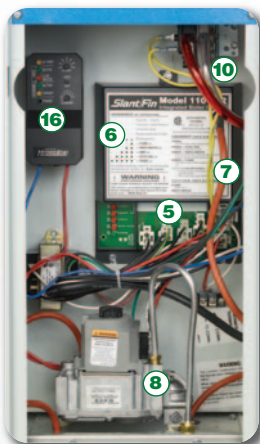
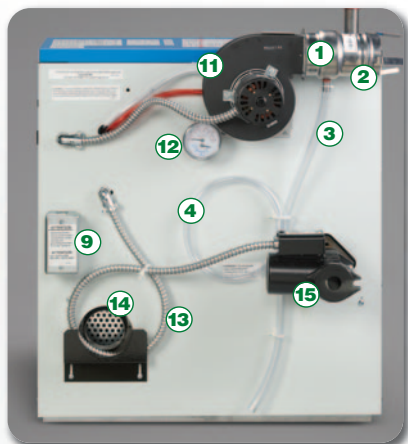


VICTORY VSPH

Cast-iron sealed combustion, direct vent gas boiler



- ① **Horizontal flue discharge components** and drain tee are factory installed to save field assembly.
- ② **3-inch flue connector** with integral adapter for easy connection to stainless steel venting. Integral self-seal when used with EZ Seal components.
- ③ **Condensate drain** is built into the flue discharge assembly.
- ④ **Drain tube** for condensate is factory installed and pre-configured with water trap.
- ⑤ **Quick connect wiring** speeds service, prevents mis-wiring.
- ⑥ **Integrated boiler control with built-in diagnostics.**
- ⑦ **Intermittent pilot spark ignition** saves energy.
- ⑧ **Field convertible gas valve** for natural-to-propane gas.
- ⑨ **Junction box** for line voltage facilitates wiring of shut-off switch.
- ⑩ **Pressure switch** functions at all altitudes.
- ⑪ **Controls, circulator pump, inducer**
- ⑫ **Pressure-temperature gauge** located for easy viewing.
- ⑬ **Circulator harness** is long enough for supply or return mounting.
- ⑭ **3-inch combustion air intake connector** for PVC or galvanized pipe.
- ⑮ **Circulator pump**
- ⑯ **Boiler temperature control (Hydrostat)**

- **No chimney required**
- **Operates in total isolation from household air.**
- **Outdoor air used for combustion.**
- **Reliable, advanced design, high efficiency cast-iron heat exchanger**
- **AFUE to 86.1%—saves energy**
- **Near zero CO emissions**
- **Five sizes-60,000 to 180,000 Btuh input**

Features of Boilers equipped with Hydrostat 3000 (DOE 2012 Compliant)

- Thermal targeting technology conserves fuel by monitoring heating demand
- Low water cut-off function
- Thermal pre-purge option to save fuel
- LED lights provides information of boiler operation

Speedy, self-sealing vent connection

Flue connector has an integral seal that is compatible with Saf-T Vent EZ Seal® vent components. Integral seals speed vent installation. With EZ Seal components, no RTV sealant and no curing time are required. Drain tee on vent outlet is included at no extra charge.

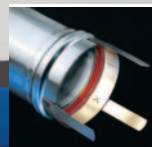
Unitized vent/air intake terminal

Designed specifically for use with the Victory VSPH boiler.

Saf-T Vent EZ Seal is a registered trademark of Heat-fab, Inc.



Unitized vent/air intake terminal

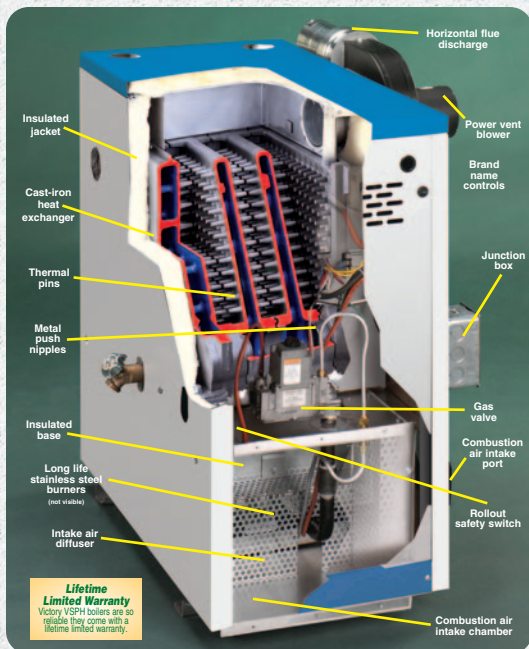


Self-sealing vent connection



VICTORY VSPH

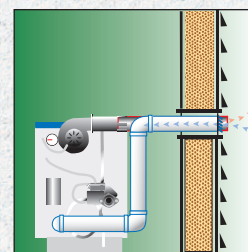
SEALED COMBUSTION GAS BOILER



Advanced design cast-iron heat exchanger extends boiler life. The flue passage design, thermal pin pattern and consistent wall thickness ensure uniform heat transfer with less thermal strain and metal fatigue.



The electronic control optimizes the operation of the Victory VSPH boiler. It monitors the status of boiler components and controls the sequence of operation, indicator lights verify normal operation and provide diagnostic information.



The Victory VSPH boiler operates in total isolation from household air. The combustion process is "sealed" inside the boiler, with intake air and exhaust pipes connected directly to the outdoors. Venting may be through the wall or through the roof.

PACKAGED WATER BOILER includes pre-assembled cast-iron heat exchanger with built-in air eliminator, base, pre-assembled insulated flush jacket, gas burners, gas orifices and manifold assembly, combination gas valve, including manual shut-off, pressure regulator and pilot adjustment, integrated boiler control with built-in diagnostics, electronic intermittent pilot ignition system, pressure and temperature gauge, pressure relief valve (ASME), circulator 1-1/4", drain cock, inducer assembly, air flow proving switch, built-in condensate drain, trap and stainless steel vent pipe adapter, unitized vent/air intake terminal, rollout safety switch. For propane, specify when ordering.

OPTIONAL EQUIPMENT: Air package consisting of diaphragm expansion tank, fill and pressure reducing valve, and automatic air vent. Combustible floor kit. AL 29-4C[†] stainless steel venting material.

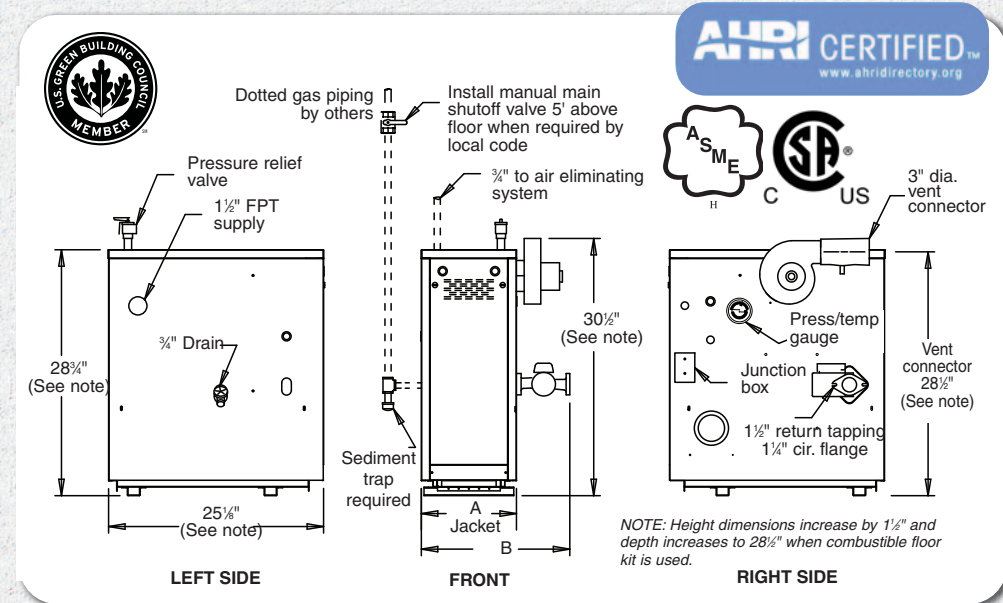
RATINGS FOR NATURAL AND L.P. GAS

Model No.	Ratings for Water		Net AHRI Water (Btuh) [†]	Net Water (Sq Ft.) [‡]	Efficiency (AFUE)
	CSA Input (Btuh)	DOE Capacity (Btuh)			
VSPH-60	60,000	52,000	45,000	300	86.1%
VSPH-90	90,000	78,000	68,000	453	85.7%
VSPH-120	120,000	103,000	90,000	600	85.5%
VSPH-150	150,000	128,000	111,000	740	85.2%
VSPH-180	180,000	154,000	134,000	893	85.1%

[†] Ratings must be reduced by 4% at 2,000 feet elevation and an additional 4% for every additional 1,000 feet elevation over 2,000 feet. Net ratings shown include allowance from normal piping loss and pick-up load. For installations having unusual piping and pick-up requirements, additional allowances should be made before selecting the size of boiler required. Ratings are based on a piping and pick-up factor 1.15.

[‡] Based on heat emission rate of 150 Btu per square foot.

Note: All VSPH boilers are tested and rated for capacity under the U.S. Dept. of Energy (D.O.E.) Test Procedure for Boilers Maximum ASME working pressure: 50 psi.



Supply water tapping	1 1/2"
Circulator return flange*	1 1/4"
Gas tapping, natural or propane	1/2"

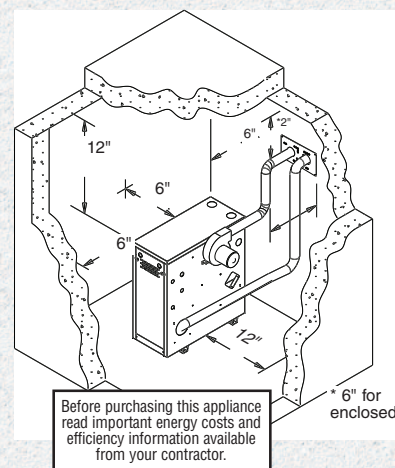
Dimensions	VSPH-60	VSPH-90	VSPH-120	VSPH-150	VSPH-180
"A"	11 1/8"	14 1/8"	17 1/8"	20 1/8"	23 1/8"
"B"	17 3/8"	20 3/8"	23 3/8"	26 3/8"	29 3/8"

*AL 29-4C is a registered trademark of Allegheny Ludlum Corp. *When not equipped with circulator, boiler 1 1/2" return tapping.

MAXIMUM EQUIVALENT FLUE LENGTH
VSPH-60, 90 & 120: 40 ft.
VSPH-150: 35 ft.
VSPH-180: 33 ft.

May differ for certain vent system manufacturers and altitudes. Vent terminal does not effect calculation of total equivalent length. See installation instructions, Pub. VSPH-40.

Victory VSPH boiler minimum clearances for combustible construction
(See installation instructions for further details.)



Before purchasing this appliance read important energy costs and efficiency information available from your contractor.



U.S.A.
Slant/Fin Corporation • 100 Forest Drive
Greenvale, NY 11548 • 516-484-2600
www.slantfin.com

Canada
Slant/Fin LTD/LTEE • 400 Ambassador Drive,
Mississauga, Ontario L5T 2 J3 • 905-677-8400
www.slantfin.ca