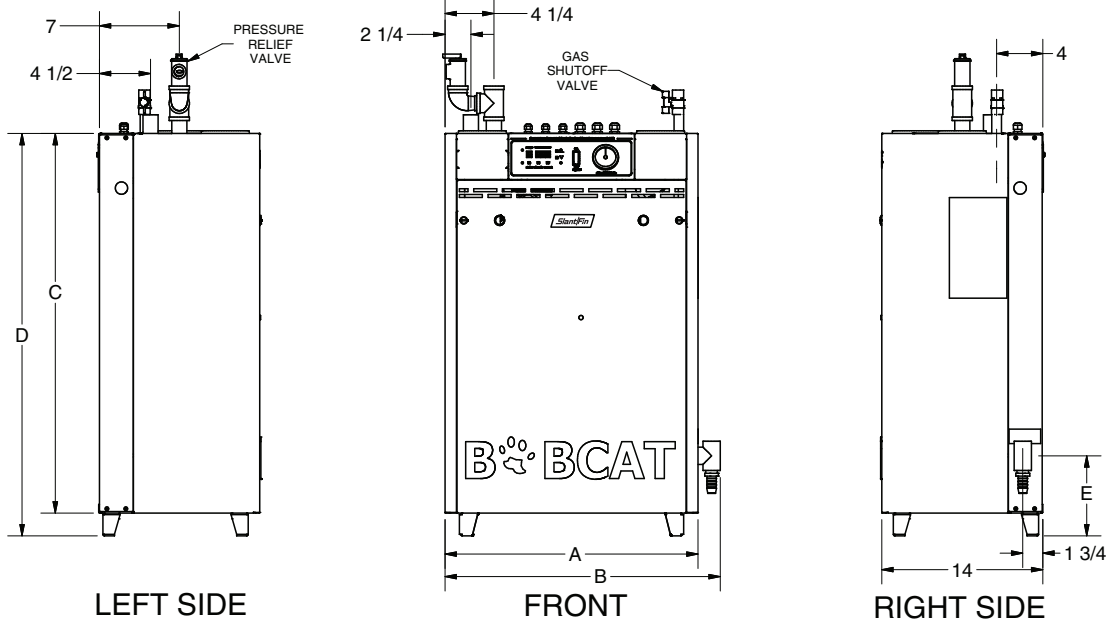




DIMENSIONS – GAS BOILERS

BOBCAT

Modulating, Condensing - High Efficiency



SPECIFICATIONS:	B-120 Boiler	B-200 Boiler
Fuel Rate Input:	120,000 BTUH max 30,000 BTUH min	200,000 BTUH max 50,000 BTUH min
Boiler Water Volume:	1.0 gallon (8.3 lbs)	1.4 gallon (11.07 lbs)
Water Piping Connections:	1" NPT (male)	
Weight of Boiler (uncrated):	145 lbs.	200 lbs.
Gas orifice size:	Natural Gas - No orifice used*	
	Propane - .2025" inside diameter **	Propane - .250" inside diameter **
Gas Piping Connection:	1/2" NPT (female)	
Vent Connection:	3" nominal I.D. pipe (PVC, CPVC or stainless steel)	
Air Intake Connection:	3" nominal I.D. pipe (PVC, CPVC or stainless steel)	
*Note: No orifice changes are required for high altitude installations.		

Dimension	B-120	B-200
A	22	30
B	23 7/8	31 7/8
C	33	38
D	35	40
E	7	10