



# HIGH EFFICIENCY FIRETUBE CONDENSING GAS BOILER

## Boiler Replacement Parts List

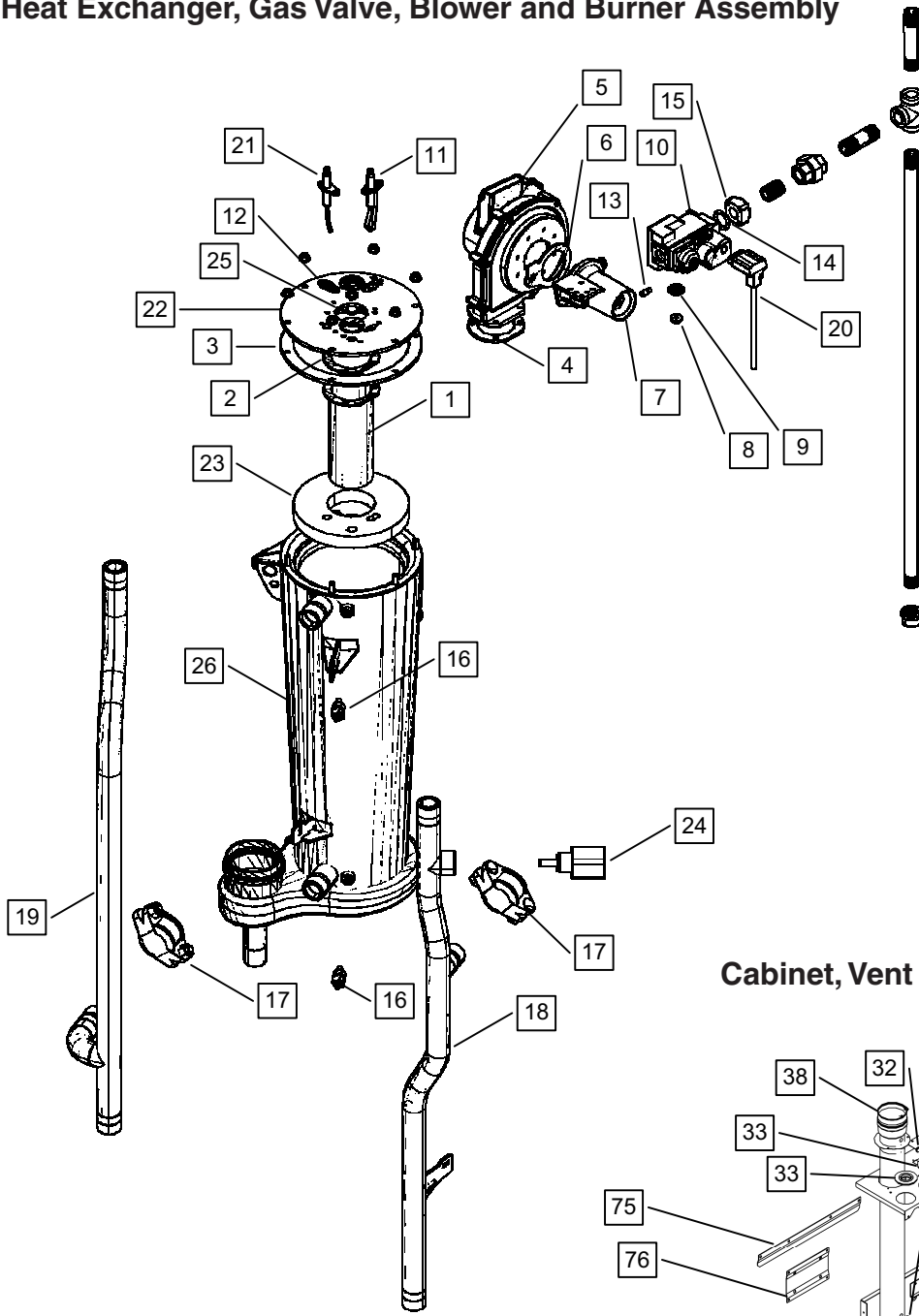
This parts list must be left with owner, hung on or adjacent to the boiler. Owner should retain parts list for future reference.

Item No.	Description	CHS-85 – CHS-110	CHS-155 – CHS-250	CHS-300 – CHS-399
1	Premix Burner	81 8010 000	81 8011 000	81 8012 000
2	Premix Burner Gasket	81 8013 000	81 8014 000	81 8015 000
3	Burner Plate Gasket	81 8064 000	81 8065 000	81 8066 000
4	Blower Gasket	81 8016 000	81 8016 000	81 8016 000
5	Combustion Blower RG130	81 8017 000	81 8018 000	81 8019 000
6	Venturi Gasket, Cork	81 8021 000	81 8021 000	—
6	Venturi to Blower O-ring	—	—	81 8020 000
7	Venturi 051	81 8022 000	—	—
7	Venturi 45900450-010	81 8023 000	—	—
7	Venturi 003	—	81 8024 000	—
7	Venturi 002, CHS 300-399	—	—	81 8025 000
8	(NG) Gas Valve NG Orifice 9.6mm	—	—	81 8029 000
9	(NG) Gas Valve NG Orifice O-Ring	—	—	81 8144 000
9	Gas Valve Screws/Seals	81 8143 000	81 8143 000	—
10	Gas Valve VK8115V1341B (Valve Only)	81 8032 000	81 8032 000	—
10	Gas Valve VR8615VB 1044B	—	—	81 8031 000
11	Ignition Electrode, Dual – c/w gasket	81 8033 000	81 8033 000	81 8033 000
12	Igniter Gasket, Graphite (Ignition Electrode/Flame Rod)	81 8034 000	81 8034 000	81 8034 000
13	Gas Valve Regulator Vent Adapter	81 8035 000	81 8035 000	—
14	Gas Valve Inlet O-ring Gasket	81 8037 000	81 8037 000	—
14	Gas Valve Inlet O-ring Gasket	—	—	81 8036 000
15	Gas Valve 1/2" NPT adapter	81 8039 000	81 8039 000	—
15	Gas Valve 3/4" NPT adapter	—	—	81 8038 000
16	Sensor, Supply & Return, Dual	81 8041 000	81 8041 000	—
16	Sensor, Supply & Return, Dual	—	—	81 8040 000
17	Pipe Coupling, Groove-Joint, 1"	81 8043 000	—	—
17	Pipe Coupling, Groove-Joint, 1 1/4"	—	81 8044 000	—
17	Pipe Coupling, Groove-Joint, 1 1/2"	—	—	81 8045 000
18	Supply Pipe, SS, 1"	81 8046 000	—	—
18	Supply Pipe, SS, 1 1/4"	—	81 8047 000	—
18	Supply Pipe, SS, 1 1/2"	—	81 8048 000	—
19	Return Pipe, SS, 1"	81 8051 000	—	—
19	Return Pipe, SS, 1 1/4"	—	81 8052 000	—
19	Return Pipe, SS, 1 1/2"	—	—	81 8053 000
20	Gas Valve Harness	81 8158 000	81 8158 000	81 8159 000
21	Flame Rod (Includes p/n: 82774)	81 8074 000	81 8074 000	81 8074 000
22	Burner Plate	81 8070 000	81 8071 000	81 8072 000
23	Burner Plate Ceramic Disc	81 8067 000	81 8068 000	81 8069 000
24	Low Water Cutoff	81 8042 000	81 8042 000	81 8042 000
25	Sight Glass Assembly	81 8055 000	81 8055 000	81 8055 000
26	Heat Exchanger-ASME	81 8056 000	81 8057 000	81 8058 000
27	Tube Strap	81 8059 000	81 8059 000	81 8060 000
28	Flue Sensor Plug (3009354)	81 8061 000	81 8061 000	81 8061 000
29	Grommet, Diaphragm, 1/2"	81 8073 000	81 8073 000	81 8073 000
30	Air-inlet Adapter, SS, 3"	81 8084 000	81 8084 000	—
30	Air-inlet Adapter, SS, 4"	—	—	81 8085 000
31	Dome Plug, Black, 7/8"	81 8156 000	81 8156 000	81 8156 000
32	Flue Adapter Test Port Plug, 12mm	81 8086 000	81 8086 000	81 8086 000
33	Grommet, Vinyl, 1" IPS (1300)	81 8091 000	—	—
33	Grommet, Vinyl, 1-1/4" IPS (1625)	—	81 8092 000	—
33	Grommet, Vinyl, 1-1/2" IPS (1875)	—	—	81 8093 000
34	Grommet, Vinyl, 1/2" IPS (1020-T)	81 8089 000	81 8089 000	—
34	Grommet, Vinyl, 3/4" IPS (1020)	—	—	81 8090 000
35	Flue Sensor, Dual	81 8050 000	81 8050 000	81 8050 000
36	1 1/2" MJ Coupling	81 8075 000	81 8075 000	—
36	2" MJ Coupling	—	—	81 8076 000
37	Air-inlet Assembly	81 8078 000	81 8079 000	81 8080 000
38	Flue Outlet Adapter, SS, 3"	81 8081 000	81 8082 000	—
38	Flue Outlet Adapter, SS, 4"	—	—	81 8083 000
39	Ignition Coil	81 8111 000	81 8111 000	81 8111 000
40	Snap Bushing, 1"	81 8113 000	81 8113 000	81 8113 000
41	Round Rocker Switch, On-Off (LCD Dot-Matrix Display)	81 8160 000	81 8160 000	81 8160 000
42	Spark Igniter Wire, 12"	81 8112 000	81 8112 000	81 8112 000
43	User Interface (LCD Dot-Matrix Display)	81 8095 000	81 8095 000	81 8095 000
44	Transformer, 24V, 40VA	81 8114 000	81 8114 000	81 8114 000
45	Controller, CHS series	81 8115 000	81 8115 000	81 8115 000
46	Terminal, Barrier, 2 Row, 8 Position	81 8097 000	81 8097 000	81 8097 000

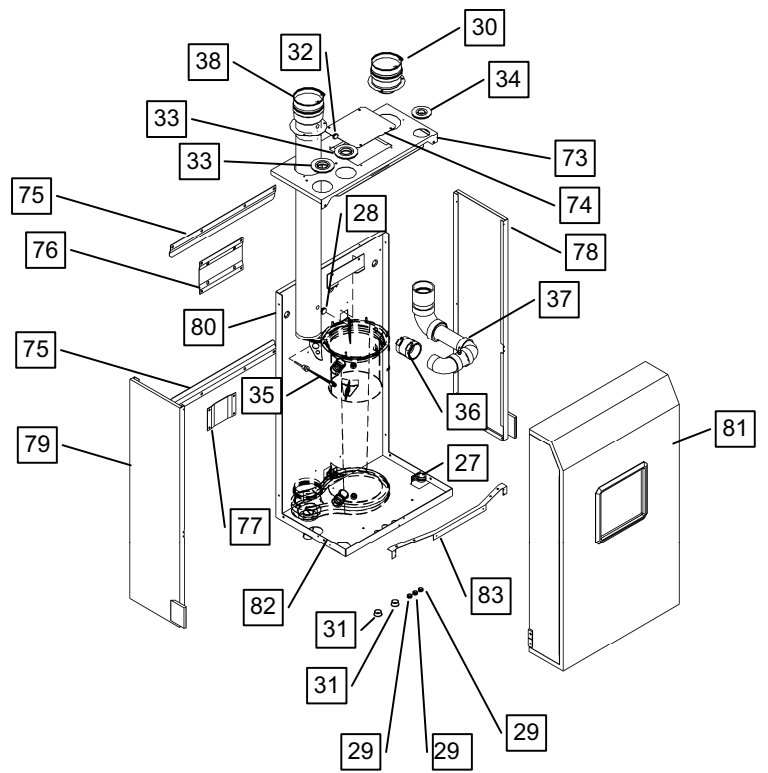
When ordering replacement parts: specify the model number and serial number.  
For replacement parts, heating contractors should contact their Slant/Fin boiler distributor.

Item No.	Description	CHS-85 – CHS-110	CHS-155 – CHS-250	CHS-300 – CHS-399
47	Terminal, Barrier, 2 Row, 9 Position	81 8118 000	81 8118 000	81 8118 000
48	Fuse, 2A, 32V, Plug Style	81 8119 000	81 8119 000	81 8119 000
49	Fuse Holder, Panel Mount, 20 Amp at 250VAC Max	81 8120 000	81 8120 000	81 8120 000
50	Fuse, 7A, 250VAC, Fast-Acting	81 8121 000	81 8121 000	81 8121 000
52	Receptacle, 120VAC	81 8054 000	81 8054 000	81 8054 000
53	3" CPVC Pipe, System 636, 5" long	81 8161 000	81 8161 000	-
53	4" CPVC Pipe, System 636, 5" long	-	-	81 8161 000
54	Auto Air Vent, 1/2" NPT	81 8049 000	81 8049 000	81 8049 000
55	Pressure Relief Valve, ASME, 3/4" NPT, 30psi	81 8163 000	81 8163 000	81 8163 000
56	Pressure Gauge, 0-60psi	81 8164 000	81 8164 000	81 8164 000
57	Brass Elbow, 90, Street, 3/4"	81 8063 000	81 8063 000	81 8063 000
58	Brass Bushing, 1" x 3/4"	81 8150 000	81 8150 000	-
58	Brass Bushing, 1 1/4" x 3/4"	-	81 8151 000	-
58	Brass Bushing, 1 1/2" x 3/4"	-	-	81 8152 000
59	Brass Tee, 1" x 1/2" x 1"	81 8153 000	-	-
59	Brass Tee, 1 1/4" x 1/2" x 1 1/4"	-	81 8154 000	-
59	Brass Tee, 1 1/2" x 1/2" x 1 1/2"	-	-	81 8155 000
60	2" Round Mesh Vent Screen	81 8077 000	-	-
61	3" Round Mesh Vent Screen	81 8165 000	81 8165 000	-
61	4" Round Mesh Vent Screen	-	-	81 8166 000
62	Outdoor Sensor, 10K	81 8126 000	81 8126 000	81 8126 000
63	System Sensor, 10K	81 8146 000	81 8146 000	81 8146 000
64	Natural Gas to LP Conversion Instructions	81 8167 000	81 8167 000	-
64	Natural Gas to LP Conversion Instructions	-	-	81 8168 000
65	Conversion Decal	81 8169 000	81 8169 000	81 8170 000
66	CHS-85 – Gas Valve LP Orifice 4.15mm	81 8028 000	-	-
67	CHS-110 – Gas Valve LP Orifice 5.2mm	81 8026 000	-	-
68	CHS-155-250 – Gas Valve LP Orifice 6.2mm	-	81 8027 000	-
68	CHS-300-399 (LP) Gas Valve LP Orifice 7.4mm	-	-	81 8030 000
69	CHS 300-399 (LP) Gas Valve LP Orifice O-ring	-	-	n/a
70	Torx Allen Key	81 8157 000	81 8157 000	-
71	Wall Mount Bracket Bottom CHS 85-399	81 8094 000	81 8094 000	81 8094 000
72	Condensate Trap	81 8062 000	81 8062 000	81 8062 000
73	Top Panel	81 8138 000	81 8139 000	81 8140 000
74	Top Panel Access Cover	81 8135 000	81 8136 000	81 8137 000
75	CHS 85-250 Wall Mount Bracket Top, Galvanized	81 8087 000	81 8087 000	81 8088 000
76	Top Heat Exchanger Support, Galvanized	81 8142 000	81 8142 000	81 8142 000
77	Bottom Heat Exchanger Support, Galvanized	81 8141 000	81 8141 000	81 8141 000
78	Right Side	81 8129 000	81 8130 000	81 8131 000
79	Left Side	81 8132 000	81 8133 000	81 8134 000
80	Back, Galvanized	81 8145 000	81 8145 000	81 8145 000
81	Front Cover	81 8127 000	81 8127 000	81 8128 000
82	Bottom, Galvanized	-	81 8147 000	81 8148 000
83	Control Panel Support, Galvanized	81 8098 000	81 8099 000	81 8110 000
84	Control Panel Base, Galvanized	81 8117 000	81 8117 000	81 8117 000
85	Spark Generator Support Bracket, Galvanized	81 8149 000	81 8149 000	81 8149 000
86	User Interface Mounting Support (Bracket)	81 8122 000	81 8122 000	81 8122 000
87	Control Panel Cover, Galvanized	81 8116 000	81 8116 000	81 8116 000
88	Fire Tube Floor Stand	81 8171 000	81 8171 000	81 8171 000
89	3" Low Profile Vent Terminal	81 8172 000	81 8172 000	-
90	3" Concentric Vent Terminal	81 8173 000	81 8173 000	-
91	4" Low Profile Vent Terminal	-	-	81 8174 000
92	4" Concentric Vent Terminal	-	-	81 8175 000
93	DHW Tank Sensor	81 8176 000	81 8176 000	81 8176 000
94	System / Pipe Sensor	81 8146 000	81 8146 000	81 8146 000
95	CHS 85-250 Tool Box	81 8177 000	81 8177 000	-
96	CHS 300-399 Tool Box	-	-	81 8178 000
97	Fernox Test strips	81 8179 000	81 8179 000	81 8179 000
98	Fernox F1 protector (CHP-500ml)	81 8180 000	81 8180 000	81 8180 000
99	Fernox F3 Cleaner (CHR-500ml)	81 8181 000	81 8181 000	81 8181 000
100	Fernox DS-40 (DS-40 descaler)	81 8182 000	81 8182 000	81 8182 000
101	Natural Gas to LP Conversion Kit CHS 85-250	81 8124 000	81 8124 000	-
102	Natural Gas to LP Conversion Kit CHS 300-399	-	-	81 8125 000

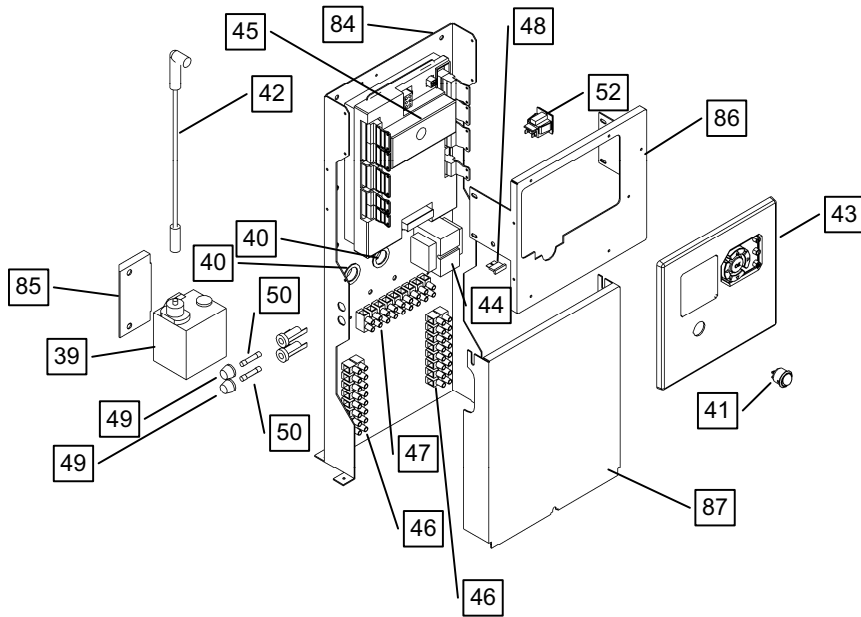
# Heat Exchanger, Gas Valve, Blower and Burner Assembly



# Cabinet, Vent and Air-Inlet Parts



## Electrical Housing, Controller, and Display Module



## CHS Installation Kit

