

Slant/Fin
Fine/Line® 15

Low profile hot water baseboard radiation



The compact baseboard with quality features

Slant/Fin® Fine/Line¹⁵

COMPACT BASEBOARD RADIATION

More professional heating contractors install Slant/Fin baseboard than any other brand!

Fine/Line 15 baseboard is designed for fast, simple installation from the moment you open the first carton to when you snap on the last accessory. Fine/Line 15 baseboard features include a high performance heating element, sure grip support brackets and low profile reinforced enclosure. You can count on cost-effective installations that look good for years and years.

Fine/Line 15 installs fast. Pre-cut lengths from 2' to 12' are fully assembled and packed in heavy-duty, multi-wall

reinforced cartons to protect the baseboard from shipping damage. You can figure your runs in half-foot increments using the 3½' length, and then make up odd inches with the telescoping accessories. Corners, end caps, piano-hinged wall trims and filler sleeves snap positively in place to reduce installation time and enhance appearance. The Nu-White baked enamel finish complements any decor or may be painted to match other room accents.

Hot water baseboard heating preferred by 88% of homeowners surveyed!

Research shows that of homeowners who have experienced both warm air heating and hot water heating, 88% prefer the comfort, health benefits and cleanliness of hot water baseboard heating.

Ducted warm air heating

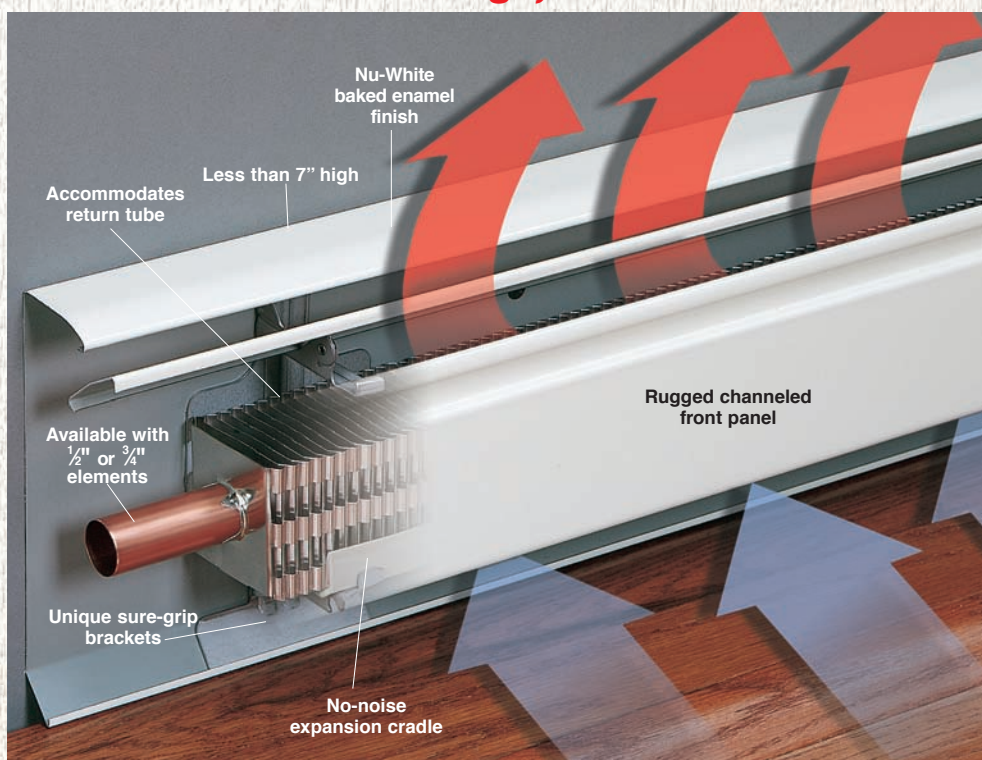
- Drafty, uneven heating
- Dirty ducts breed and spread germs
- Noisy • Difficult to zone
- Less efficient

Builders and owners of better homes choose Slant/Fin hydronic boiler-baseboard heating. A Slant/Fin hot water baseboard perimeter system surrounds you with quiet, draft-free heating comfort.

Slant/Fin hot water heating

- Gentle, even heating from floor to ceiling
- Germs don't breed/spread
- Quiet • Easy to zone
- More efficient

Just 7 inches high, but it towers!



Low profile!

High heating efficiency!

Better built!

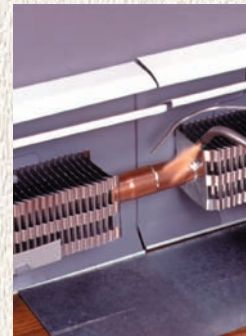
Install better baseboard jobs...



Factory assembled for fast package-to-wall installation using screw gun, nails or T-shot nailing tool.



High performance heating element with self-adjusting expansion cradle rides on heavy-duty support bracket.



Computer-assisted manifold quality and fit, length-to-

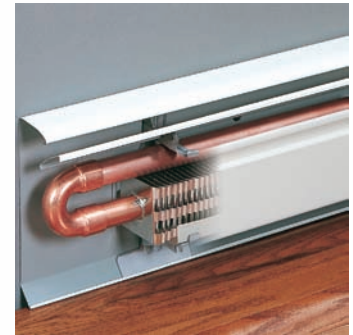
**Made by Slant/Fin.
Better in design, engineering and performance.**



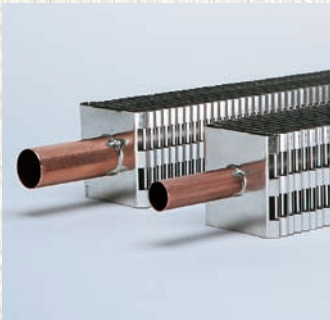
Sure-grip support brackets keep the front panel rigidly in place to avoid "pop-off". Bracket is manufactured from heavy gauge steel, shaped by a series of progressive die strikes which multiply the strength of the metal alone. The bracket becomes a powerful "spine" for the entire unit, holding cover, element and damper vane securely in place.



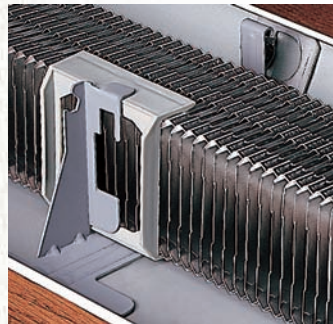
Strong enclosure holds its shape under rugged use. The unique channeled front panel resists twisting and adds lateral strength. Front panel and one-piece bottom, back and top panels are formed from prime, cold rolled, rephosphorized heavy gauge steel. Precision accessories snap in place and stay in place.



Contractor friendly. Enclosure, bracket and accessories are designed with the contractor in mind. Optional 180° vented or non-vented return bend aligns return tubing to run above the heating element. Hinged accessories telescope laterally for precise fit while providing flip-up access to tubing.



1/2" or 3/4" high performance heating elements. Choice of element size broadens range of applications and can help reduce installation costs. Double bent aluminum fins increase heating surface, reinforce each other and help stop expansion noise. Maximum heat output. Fins won't loosen. Plated steel end fins protect aluminum fins from damage.



No-noise expansion cradles. Self-adjusting expansion cradles of smooth plastic are clipped to fins of element and positioned over support brackets. Eliminates noisy metal-to-metal contact with bracket and enclosure. Ridges on both sides of cradle bottom and unique bracket flag prevent cradle from slipping off bracket.



Fully modulating damper helps control temperature in each room individually. Unique corrosion resistant pivot and damper mounting assembly provide the straightest, most responsive damper available. It comes fully assembled on every foot of Fine/Line 15. Adjusts easily from fully open to fully closed or any setting in-between.

with less effort and in less time.



Manufacturing ensures consistent length and job-to-job.



Front cover locks into a unique support bracket hook. Swings down and snaps in place. Avoids "pop-off".



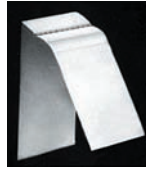
Neat fitting accessories give the job a finished look. Splice plate sets are included free with lengths 5' and longer.

Fine/Line 15 hot water baseboard radiation accessories:

Please specify part number and name when ordering.



HINGED END CAP
No. 15-LECH-LEFT
No. 15-RECH-RIGHT
4" wide with piano-hinged door. Allows 3" adjustment.
Packing: 2 per box
SLOTTED (not shown)
No. 15-LESH-LEFT
No. 15-RESH-RIGHT



HINGED WALL TRIM
No. 15-WTH
4" wide with piano-hinged front panel; fits either end.
Packing: 2 per box



INSIDE CORNER
No. 15-IC-90—90°
No. 15-IC-135—135°
3¾" wide at top (2⅞" for 135°), with piano-hinged front.
Packing: 2 per box

FILLER SLEEVE
No. 15-FS-7—7"
No. 15-FS-14—14"
Covers gaps from 1" to 6" or 1" to 12". Includes top, front, back, damper.
Packing: 1 per envelope.



NON-HINGED END CAP
No. 15-LECN-LEFT
No. 15-RECN-RIGHT
2½" solid metal
Packing: 2 per box



NON-HINGED WALL TRIM
No. 15-WT-2—2"
No. 15-WT-4—4½"
No. 15-WT-675—6¾"
No. 15-WT-7FL—6¾" floor length
Packing: 2 per box



2" SPLICE PLATE SET
Included free with every baseboard unit 5' and over.



OUTSIDE CORNER
No. 15-OC-90—90°
No. 15-OC-135—135°
¾" wide, one-piece unit.

Ratings:

Fine/Line 15 Series

(Hot water ratings, BTU/HR per linear ft. with 65°F entering air)

ELEMENT	WATER FLOW	PRESSURE DROP‡	110°F	120°F	130°F	140°F	150°F	160°F	170°F	180°F	190°F	200°F	210°F	215°F	220°F
NO. 15-75E Baseboard with 3/4" element †	1 GPM	47	140*	190*	240*	290*	350	420	480	550	620	680	750	780	820
	4 GPM	525	150*	200*	260*	310*	370	440	510	580	660	720	790	820	870
NO. 15-50 Baseboard with 1/2" element †	1 GPM	260	150*	200*	260*	300*	370	430	490	550	610	680	740	770	800
	4 GPM	2880	160*	210*	270*	330*	390	450	520	580	640	720	780	810	850

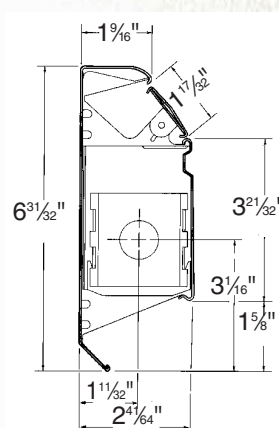
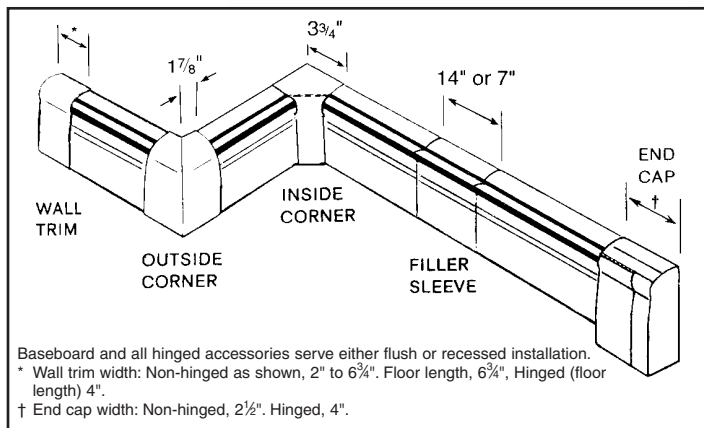
‡ Milinches per foot.

† Nominal

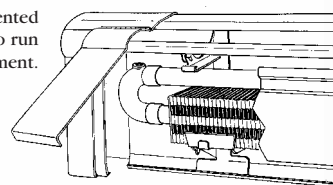
* Ratings at 140 F and lower temperatures determined by multiplying 150 F rating by the applicable factor specified in Table E in the I-B-R Testing and Rating Standard for Baseboard radiation.

NOTE: Ratings are for element installed as per drawing shown in "Dimensional Data" window (open "Dimensional Data" window to view) with damper open, with expansion cradles. Ratings are based on active finned length (5" to 6" less than overall length) and include 15% heating effect factor. Ratings are also based on 3/4" or 1/2" nominal copper tubing with 2-5/8" x 2-1/8" x .009" aluminum fins bent to 2-19/64" x 2-1/8" (15-75E) or 2-1/8" x 2-9/32" (15-50) spaced 55 per linear foot (unpainted). Use 4 gpm ratings only when flow is known to be equal to or greater than 4 gpm; otherwise, 1 gpm ratings must be used.

Dimensional and installation data:



An optional 180° vented or non-vented return bend aligns return tubing to run above the heating element.



Ordering data:

COMPLETE BASEBOARD PACKAGE

No. 15-75E (with ¾" element)

No. 15-50 (with ½" element)

Carton contains fully assembled baseboard, complete with damper vane, heating element and expansion cradles. 2" splice plate set packed with lengths 5' and over. 10' and 12' foot assemblies contain two separate elements.

LENGTHS: 2', 3', 3½', 4', 5', 6', 7', 8', 10', 12'

COLOR: Nu-White baked enamel finish.

No. 15-D ENCLOSURE ONLY PACKAGE

Same as No. 15-75E and 15-50, but WITH-OUT heating element or expansion cradles.

No. E-75E 3/4" ELEMENT ONLY

No. E-50 1/2" ELEMENT ONLY

Heating element with expansion cradles; NO enclosure. Packed in individual sleeves.

LENGTHS: 2', 3', 3½', 4', 5', 6', 7', 8'

Specifications:

HEATING ELEMENT: Furnish and install E-75E (E-50) baseboard heating element as manufactured by Slant/Fin Corp., consisting of ¾" or ½" nominal copper tubing, with 2⅝" x 2⅝" x .009" aluminum fins, bent to 2¹⁹/₆₄" x 2¹/₈" or 2¹⁶/₆₄" x 2¹/₈", spaced 55 per linear foot. End fins are of plated steel for extra ruggedness. Polypropylene expansion cradles shall be clipped to element, centered over each support bracket, and shall protect element from contact with support brackets or enclosure.

COVER ASSEMBLY: Furnish and install 15-75E (15-50) baseboard cover assembly as manufactured by Slant/Fin Corp., consisting of back panel, front panel, damper vane and support brackets (electro-galvanized), formed of cold rolled steel. Edges of back panel shall be formed to provide channels to receive support brackets. Top edge of front panel shall be formed to provide a full-length hinge, interlocking with each support bracket. Damper vane shall modulate fully and retain any setting through its arc. All cover components shall be painted in Nu-White thermosetting polyester enamel.

Slant/Fin

SLANT/FIN CORPORATION, Greenvale, N.Y. 11548

Phone: (516) 484-2600 • FAX: (516) 484-5921 • www.slantfin.com

Canada: Slant/Fin LTD/LTEE, Mississauga, Ontario • www.slantfin.ca