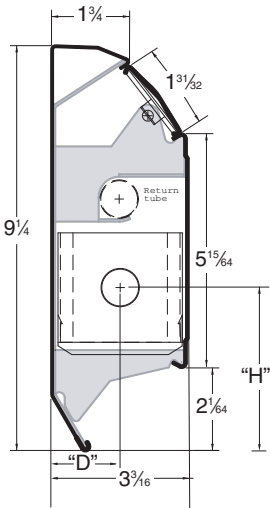


# BASE/LINE 70

## HIGH-OUTPUT BASEBOARD



Element	"H"	"D"
H-3	3 <sup>23</sup> / <sub>32</sub> "	1 <sup>1</sup> / <sub>2</sub> "
E-75E	3 <sup>17</sup> / <sub>32</sub> "	1 <sup>9</sup> / <sub>32</sub> "

New high-output Base/Line 70 baseboard combines renowned Slant/Fin quality and performance with an economical price. Its heavy duty construction makes it ideal for highly competitive multi-family housing, light commercial and high-output residential heating applications. Base/Line 70 is made with features not found in ordinary baseboard. There's more integrity and durability.

- **9 1/4" height**
- **25% higher output than standard baseboard**
- **Choice of 2 heating elements**
- **Heavy duty construction**
- **18-gauge front cover**
- **Massive, full-support bracket**
- **Pivot-mounted, fully modulating damper**

### CONTRACTOR-FRIENDLY FEATURES SPEED

**INSTALLATION:** Base/Line 70 baseboard is factory assembled and packaged for quick carton-to-wall installation. Brackets slide laterally to align with wall studs, if desired. Return piping is quick and easy using standard 90° fittings. A full range of piano hinged and snap-on accessories give the installation a neat look. The Base/Line 70 bracket is more than twice the size and weight of brackets provided with some other baseboard brands. It offers exceptional floor to top panel support. The hefty 18-gauge front panel resists damage during and after installation. The exclusive pivot mount damper permits easy adjustment while holding any position from fully open to fully closed for room-by-room comfort control.

## ORDERING DATA

**PACKAGING:** Complete assembly - Model 73-A. Factory assembled, packaged in individual cartons. Includes H-3 element, enclosure, brackets, plastic expansion cradles and damper. Model 70-E. Cover and E-75E element packaged and shipped separately.

**CONSTRUCTION:** Back panel, front cover and damper fully assembled at factory, ready to fasten to the wall.

**DEPTH:** 3<sup>3</sup>/<sub>16</sub>"

**HEIGHT:** 9<sup>1</sup>/<sub>4</sub>"

**LENGTHS:** 2', 3', 3<sup>1</sup>/<sub>2</sub>', 4', 5', 6', 7', 8'.

**MATERIAL:** 18-gauge steel front cover 21-gauge back cover. 16-gauge brackets.

**FINISH:** Nu-White baked enamel.

**ELEMENT SUPPORT:** Self-adjusting, polypropylene expansion cradles are positioned over support brackets, allowing quiet expansion.

**ELEMENTS:** Choice of two. Copper with aluminum fins: H-3 or E-75E. See page 30.

# RATINGS



## HOT WATER RATINGS BTUH/HR./FT.

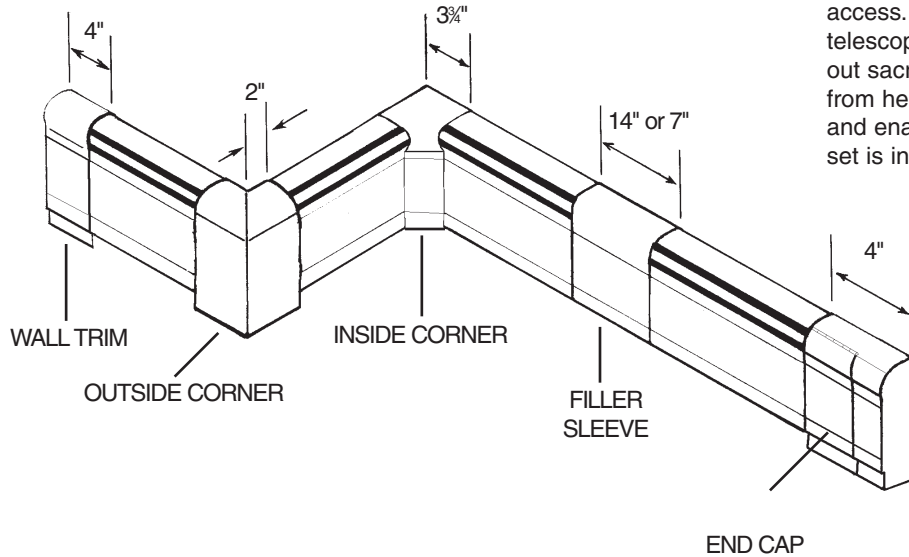
Model Number	Element Type	Tube Size and Material†	Fin Size and Material	Fins per Foot	Water Flow	Pressure Drop*	140° F‡	150° F	160° F	170° F	180° F	190° F	200° F	210° F	220° F
73-A	H-3	¾" copper	2¾" x 2½" x .011" aluminum	55	1 GPM	47	400	480	560	640	720	800	880	960	1040
					4 GPM	525	430	510	590	680	760	850	930	1020	1100
70-E	E-75E	¾" copper	2¾" x 2½" x .011" aluminum	55	1 GPM	47	330	390	460	540	610	680	750	830	900
					4 GPM	525	340	410	490	570	640	720	790	880	950

\* Millinches per foot. † Nominal ‡ Ratings at 140°F determined by multiplying 150°F rating by the I=B=R conversion multiplier of .84.

NOTE: Ratings are for element installed with damper open, with expansion cradles and with 65°F entering air. Ratings are based on active finned length [5" to 6" less than overall length] and include 15% heating effect factor. Use 4gpm ratings only when flow is known to be equal to or greater than 4 gpm; otherwise, 1 gpm ratings must be used.

# ACCESSORIES

A selection of telescopic accessories let you fit Base/Line 70 to virtually any field condition for an easy, neat wall-to-wall fit. Piano hinged end caps, valve covers and wall trim swing up for easy access. They have full back panels, giving them telescopic flexibility for the desired lateral fit, without sacrificing stability. All accessories are made from heavy gauge steel, die struck for precision fit and enamel finished inside and out. A splice plate set is included free with lengths 5' and longer.



## telescopic accessories



Hinged End Cap



Non-Hinged End Cap



Hinged Wall Trim



Filler Sleeve



2" Splice Plate



Non-Hinged Wall Trim



Inside Corner



Outside Corner



Valve Cover