

**Slant/Fin**

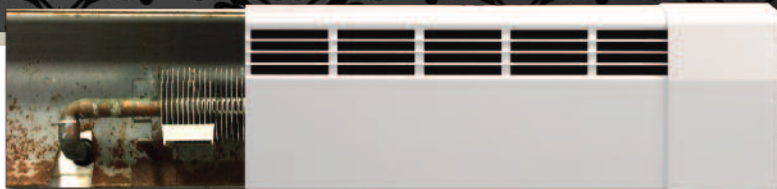
# Revital/Line<sup>®</sup>

Aluminum Baseboard Replacement Cover

MADE WITH DURABLE  
**RUST-PROOF**  
EXTRUDED ALUMINUM

**Presenting the quick and easy makeover  
for your aging baseboard covers!**

- **EASY! EASY!**  
No Tools Needed for  
Most Installations
- Fits Over Existing Back Panel
- Laboratory Tested for  
Maximum Heat Output
- Powder-coated for a Durable,  
Baked Enamel-like Finish
- Standard Color is Brite White.  
Also available in 8 other  
Decorator Colors
- Available in 8 sizes:  
2ft•3ft•3.5 ft•4ft•5ft•6ft•7ft•8ft



**Turn this..... Into this! That was easy!**

**Revital/Line<sup>®</sup> fits over 90% of all  
brands measuring up to 8.5" H x 3" D...  
Ours and theirs!\***

 **Made from Recycled Aluminum!**

*\*Minimum height floor to top of back panel 6 3/8"*

Since 1949  
**Slant/Fin**  
BOILERS & BASEBOARD

*We Build Trust and Comfort*

**From the World's Leader in Baseboard Heaters Since 1949 • [www.slantfin.com](http://www.slantfin.com)**

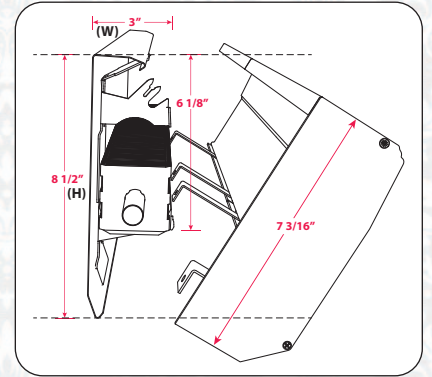
**Slant/Fin**

# Revital/Line®

Aluminum Baseboard Replacement Cover

Slant/Fin's Revital/Line®, pre-cut replacement cover, will fit over 90% of standard hydronic baseboard measuring up to 8.5" H x 3" D. Simply measure your current baseboard, choose your color, and you're ready to begin. This product is designed to slip over the existing back panel. All you do is remove the old accessories, front panel and damper, and you're ready to slip on the new cover. Visit [www.slantfin.com](http://www.slantfin.com) to learn more and see a quick installation video.

The unique, modern design will provide durability and has been tested to allow for up to 40% more heat output than the competitive brands currently on the market. It's amazing how simple it is to transform the look of any room. And, best of all, anyone can do it! Slant/Fin takes the guesswork out of it...and puts our unsurpassed quality into every Revital/Line® makeover.



**Breathe new life into your aging baseboard!**

Revitalize any room in your home... quickly and easily... with a pre-cut, slip-in-place baseboard cover. See how easy it is at [www.slantfin.com](http://www.slantfin.com)

**Revital/Line® is available in pre-cut lengths: 2', 3', 3-1/2', 4', 5', 6', 7',  
Revital/Line® Replacement Covers are for use with hydronic baseboard only.**

*Decorator Colors*  
BASEBOARD • COMMERCIAL FIN-TUBE  
ALUMINUM REPLACEMENT COVERS

**Available in nine decorator colors!**



Brite White  
(Standard)



Nu-White



Mirror Black



Shell White



Flat Black



Rubbed Bronze



Almond



Cloud Gray



Mineral Bronze

Colors shown here are matched to actual colors as close as possible. Slight variations can occur in printed material and on computer screens. Color chips are available upon request.

## Accessories



**Filler Sleeve**  
RVTL FS 2"  
RVTL FS 4"  
RVTL FS 7"  
RVTL FS 14"

One piece filler sleeve covers gaps from 1" to 13"



**Inside Corner**  
RVTL IC-90°  
3-3/4" wide at top  
RVTL IC-135°  
(Not Shown)



**Outside Corner**  
RVTL OC-90° (Shown)  
RVTL OC-135°  
(Not Shown)



**End Plate\***  
RVTL End Plate

To seal the end with a flat finish (screws included)



**Non-Hinged End Cap\***  
2" RVTL LEC (Not Shown)  
2" RVTL REC (Not Shown)  
4" RVTL LEC (Shown)  
4" RVTL REC (Shown)  
2" End Cap has a telescoping design that allows for a 1" adjustment.  
4" End Cap has a telescoping design that allows for a 3" adjustment.

\*Minimum floor to top of back panel 6 3/8"



©Slant/Fin Corp. 2018 • Printed in U.S.A. 918 • Publication No. RVTL-10

SLANT/FIN CORPORATION, Greenvale, N.Y. 11548 • Phone: (516) 484-2600  
FAX: (516) 484-0933 • Canada: Slant/Fin LTD/LTEE, Mississauga, Ontario

[www.slantfin.com](http://www.slantfin.com)

