

ACCESSORY KIT INSTRUCTIONS FOR RECESSED WALL MOUNTING



The KICKER

Multi-purpose fan convection heater

Instructions for mounting The Kicker model TK-70 or TK-90 in a recessed wall mount application.

1. Change switch location. See Fig. 1.
2. For units shipped with only one air vent, change the location of the air vent by interchanging the $\frac{1}{4}$ " NPT plug and the air vent, both of which are assembled to the coil header. See Fig. 2.
3. Attach both side panels to the base of The Kicker with (4) #8 x $\frac{1}{4}$ " screws provided. See Fig. 3.
4. Attach bottom rail, plenum and partition to each side with (8) #8 x $\frac{1}{4}$ " sheet metal screws provided. See Fig. 3.
5. Mount unit between studs. See Fig. 4.
6. Follow instructions packed with The Kicker for water and electrical connections, and for operation.
7. Fasten front panel in place with (2) 8 x $\frac{1}{2}$ " sheet metal screws provided. See Fig. 3.

PARTS INCLUDED

Part No.	Qty.	Description
250020000	1	Front panel
250021000	1	Left side
250022000	1	Right side
250023000	1	Plenum
250025000	1	Bottom rail
250029000	1	Partition
970107000	2	#8 x $\frac{1}{2}$ " sheet metal screws
980042000	12	#8 x $\frac{1}{4}$ " sheet metal screws

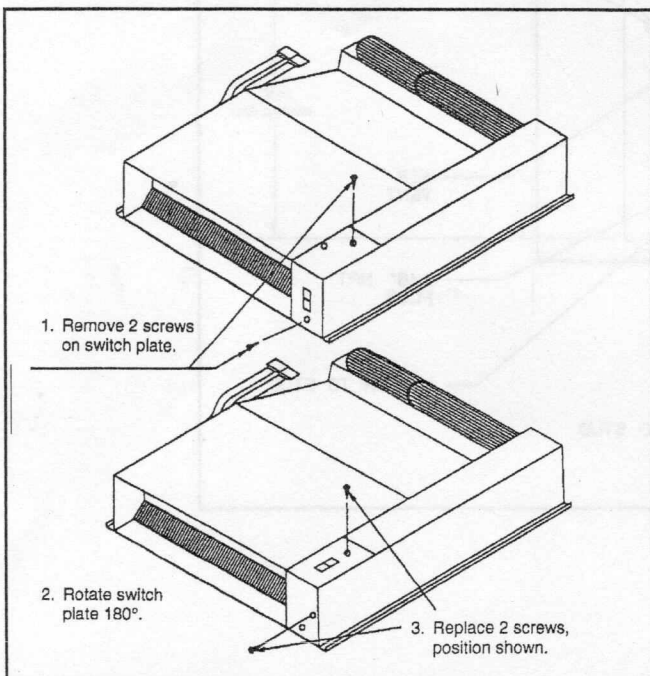


Figure 1. Changing the switch location

The control switch is factory installed for kickspace (horizontal) application. For wall mounting The Kicker in a vertical position, remove the switch assembly and reinstall as shown.

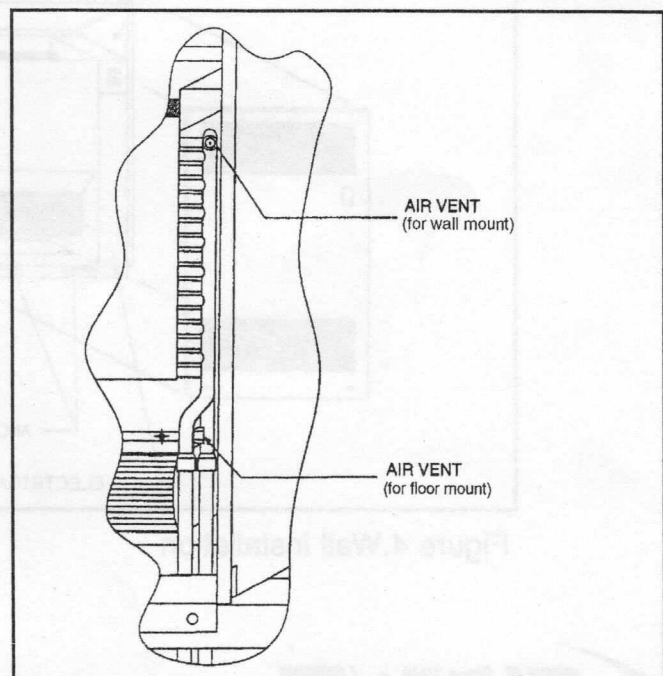


Figure 2. Air vent location

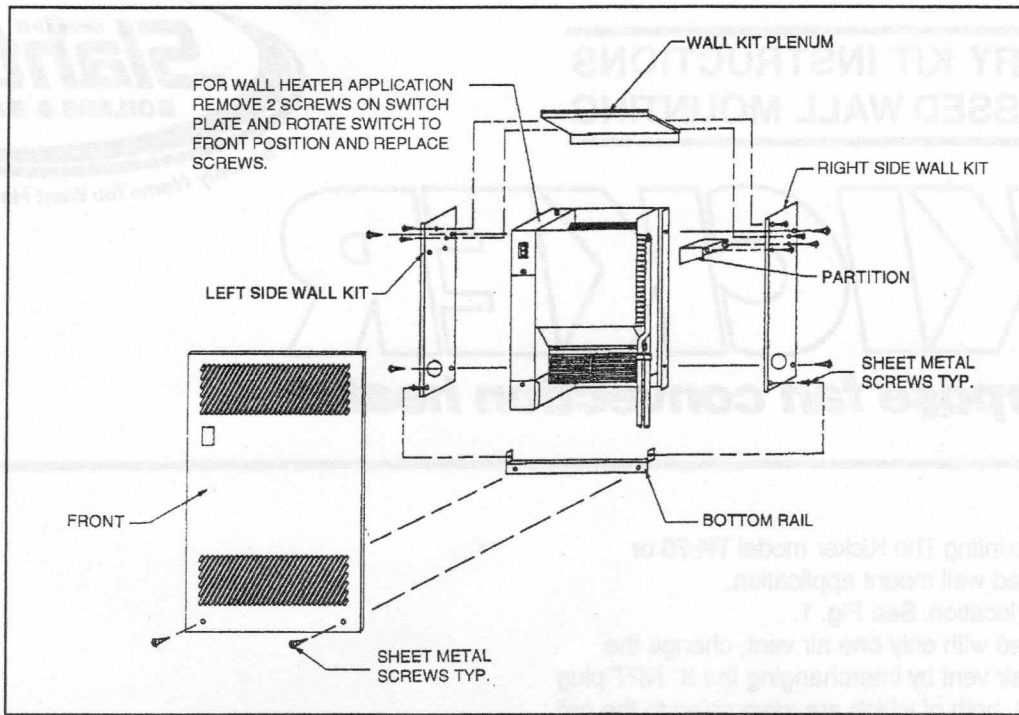


Figure 3. Frame assembly

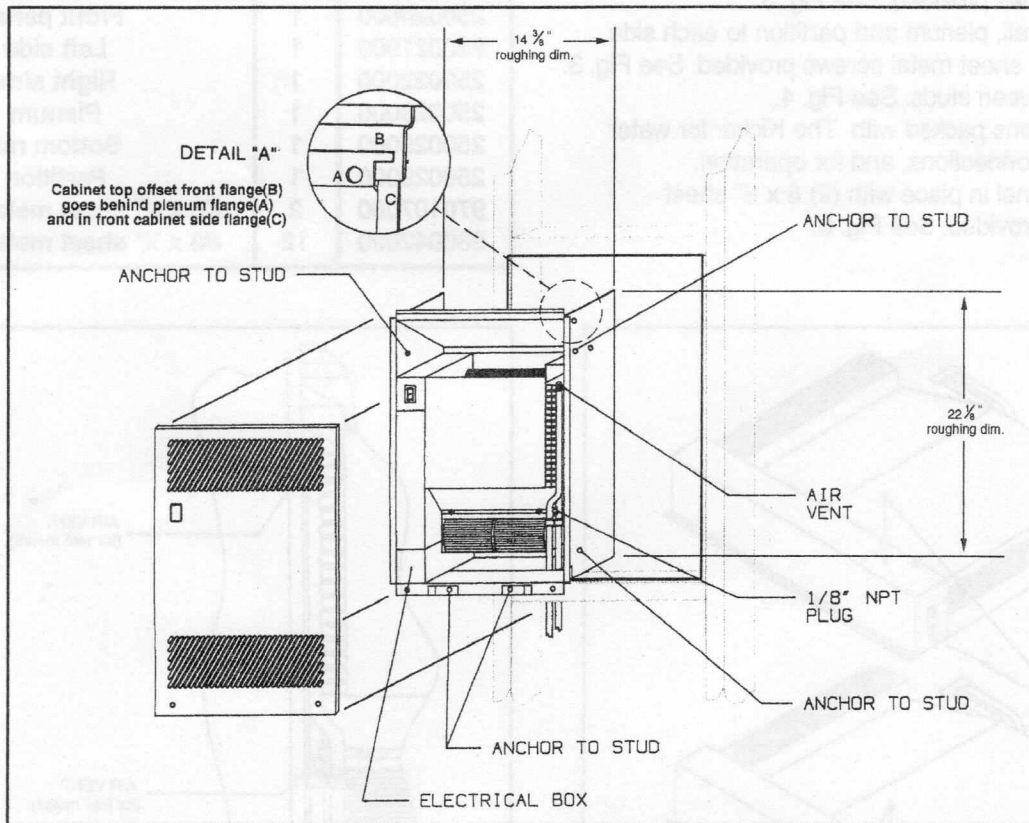


Figure 4. Wall installation



©Slant/Fin Corp. 2013 • Printed in U.S.A. 1113 • Part No. 250077 • Publication TK-40RMK

SLANT/FIN CORPORATION, Greenvale, N.Y. 11548 • Phone: (516) 484-2600

FAX: (516) 484-5921 • Canada: Slant/Fin LTD/LTEE, Mississauga, Ontario

www.slantfin.com