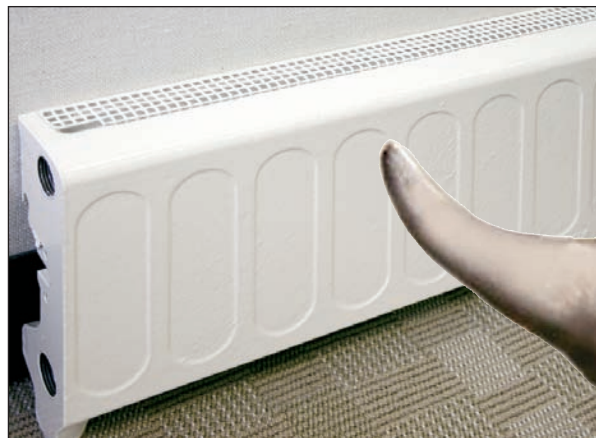


Slant/Fin[®] **RHINO-CAST** **Lower profile, lower price** **CAST-IRON BASEBOARD**

- **Cast-iron tough**
- **Modern low profile**
- **New installer friendly features**

Cast-iron baseboard hasn't changed much in 50 years, until now. New Slant/Fin Rhino-Cast cast-iron baseboard is about an inch and a half shorter than old style cast-iron baseboard, yet its heat output compares with the higher, bulkier models. That means less weight for installers to handle and a lower, sleeker appearance for your customers to enjoy. With its unique hanging strip and cast-in hanging cleat, Rhino-Cast may also be easily wall mounted at any height. And there's more good news... Rhino-Cast costs less, too!



*Attractive outlet grille
available! Shown
field painted.*



RHINO-CAST



CAST-IRON BASEBOARD

• Cast-iron tough • Modern low profile

Rugged, heavy-duty hot water heating.

High quality cast iron and modern computer assisted design make Rhino-Cast extremely durable. It won't dent, bend or lose efficiency. It is nearly indestructible and can easily last the life of the building.

Modern, low profile.

With an installed height of just 8⁷/₁₆" , Rhino-Cast baseboard has a more modern profile and streamlined appearance than old style cast iron baseboard. Its gray prime finish provides an excellent surface for finish painting. Optional air outlet grille, field installed, adds a contemporary touch.

Less weight. Easier to handle.

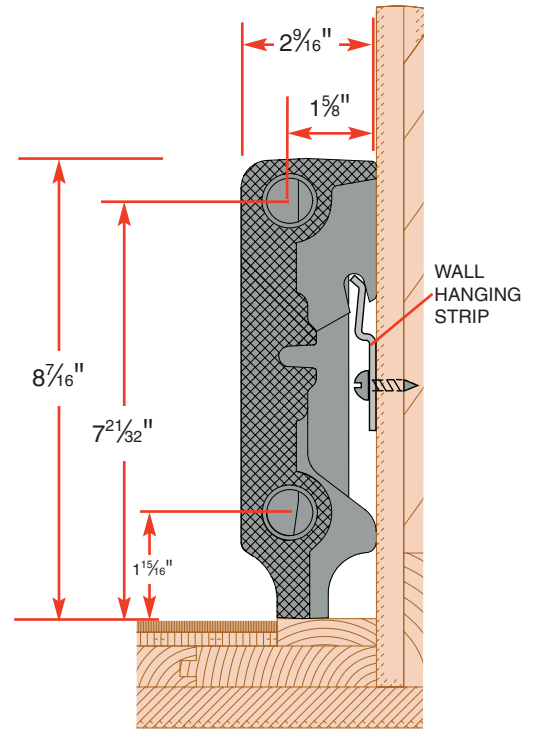
With less cast-iron per foot, compact Rhino-Cast weighs less than traditional cast-iron baseboard. Individual sections and assemblies are easier to transport and easier to handle on the job.

Deluxe comfort.

Rhino-Cast baseboard blankets the room with a combination of cozy direct radiant heat and full room natural convection heating. Its cast-iron retains heat, so it minimizes temperature swings.

Wall hanging option benefits installers and owners.

Uneven floors and floor maintenance requirements are not a problem with Rhino-Cast baseboard. Rhino-Cast's unique hanging strips let you easily wall mount the baseboard at any height above floor level. No need to compensate for uneven floors. Carpet or other flooring materials may be installed flush to the wall. Owners of restaurants and other high maintenance facilities enjoy speedier floor cleaning and waxing. Rhino-Cast may also be installed at floor level.



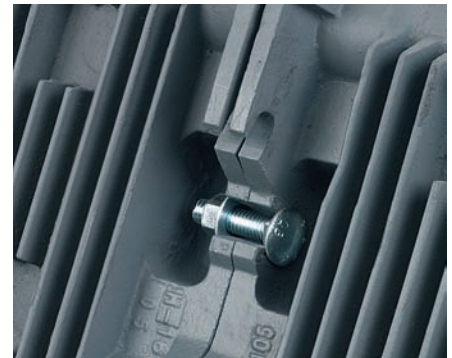
DIMENSIONS



Optional air inlet grille installs in seconds after baseboard is mounted.

Installer-friendly.

Rhino-Cast is manufactured in a full variety of individual sections, assemblies and sub-assemblies, making it easy to configure your installation. The easy to handle hanging strip may be located and secured to the wall in advance, making it easy to simply lift and place assemblies of any length into position -- at floor level or any height above the floor. Rhino's cast-in hanging cleat simply nests onto the top edge of the hanging strip. Neat fitting accessories give the job a trim look.



1-2-3 installation: Assemble baseboard sections flat on floor. Secure with connecting bolts.



Mount hanging strips on wall and lift assembled baseboard sections into place on hanging strips.

RATINGS

NOTE: Maximum allowable working pressure—30psi



| Water Flow | Pressure Drop | 150°F | 160°F | 170°F | 180°F | 190°F | 200°F | 210°F | 215°F | 220°F |
|------------|---------------|-------|-------|-------|-------|-------|-------|-------|-------|-------|
| 1GPM | 6.0 | 360 | 420 | 480 | 540 | 610 | 670 | 730 | 760 | 780 |
| 4GPM | 175 | 380 | 440 | 510 | 570 | 640 | 710 | 770 | 800 | 840 |



Slant/Fin®

SLANT/FIN CORPORATION
Greenvale, NY 11548
www.slantfin.com