

**Slant/Fin.**

# SENTRY®

**DOE  
SEPT. 2012  
COMPLIANT**

**High performance, cast-iron gas boiler**

## Lower profile makes installations easy

The boiler you choose for your home now will affect your family's comfort—and pocketbook—for many years to come. Sentry boilers provide a blend of efficiency and reliability that will keep your home comfortably warm and your fuel costs low year after year. A new Sentry boiler can save up to 30% or more on fuel bills compared to a typical old boiler operating at 60% efficiency.

Sentry is ideal for a wide variety of gas boiler requirements as a replacement or for new installations. Its advanced design provides years of trouble-free, high efficiency operation, while providing easy installation especially in sites with low chimney connections or low overhead clearance.

- **Reliable natural draft design**
- **Quality control features**
- **High performance heating**
- **Thermal targeting technology to conserve fuel by monitoring heating demand**
- **Low water cut-off function**
- **Thermal pre-purge option to save fuel**
- **Display shows boiler water temperature and boiler control's setting**
- **LED lights provides information of boiler operation**

\*See installation instructions for specific applications and clearances.



- **Input: 5 models 34,000 to 150,000 Btu/hr**
- **Intermittent ignition • Low clearance\***
- **Saves energy. AFUE to 84.4%**

**www.slantfin.com**



Since 1949  
**Slant/Fin®**  
**BOILERS & BASEBOARD**  
The Only Name You Want Heating Your Home



## Computer-aided design. Highest quality manufacturing. Superior components.

- |                                      |                                     |
|--------------------------------------|-------------------------------------|
| 1. Advanced design heat exchanger    | 8. Gas valve                        |
| 2. Relief valve                      | 9. Rollout safety switch            |
| 3. Thermal pins                      | 10. Circulator pump                 |
| 4. Pressure temperature gauge        | 11. Brand name controls             |
| 5. Metal push nipples (Avoids leaks) | 12. Insulated jacket                |
| 6. Insulated base                    | 13. Integral draft hood             |
| 7. Long life burners                 | 14. Reliable, motorized vent damper |

### RATINGS FOR SENTRY BOILERS – NATURAL AND L.P. GAS

MODEL NUMBER †	CSA INPUT (Btuh)	DOE CAPACITY (Btuh)	NET AHRI RATING WATER (Btuh)*	WATER (Sq. Ft.)	EFFICIENCY AFUE% INTERMITTENT IGNITION	DIMENSIONS-Inches		
						A	B	C-VENT DIAMETER INTEGRAL DRAFT DIVERTER
S-34	34,000	29,000	25,000	167	84.0	8-1/8	14-5/8	4
S-60	60,000	51,000	44,000	293	84.4	11-1/8	17-5/8	4
S-90	90,000	76,000	66,000	440	84.2	14-1/8	20-5/8	5
S-120	120,000	101,000	88,000	587	84.1	17-1/8	23-5/8	6
S-150	150,000	125,000	109,000	727	83.4	20-1/8	26-5/8	7

*Slant/Fin*

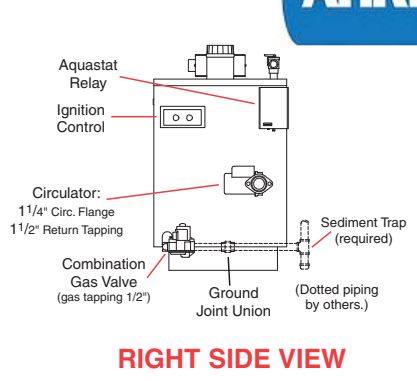
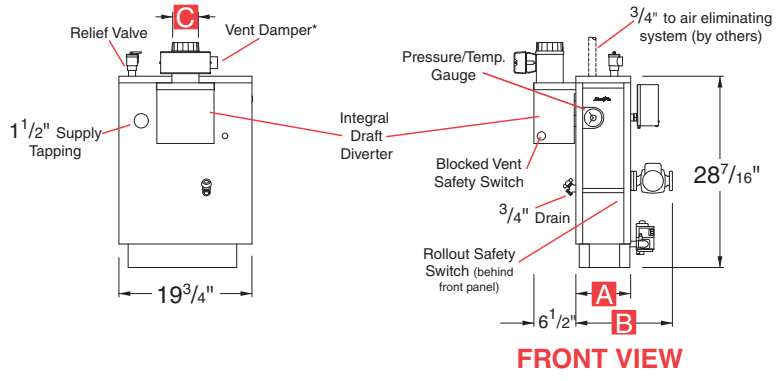
# SENTRY®

High performance, cast-iron gas boiler

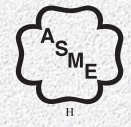
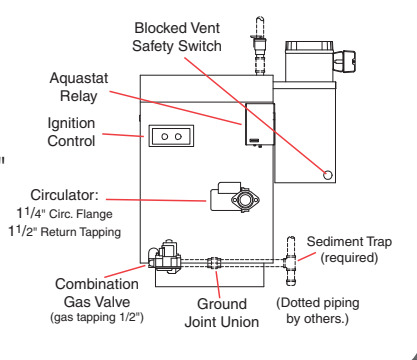
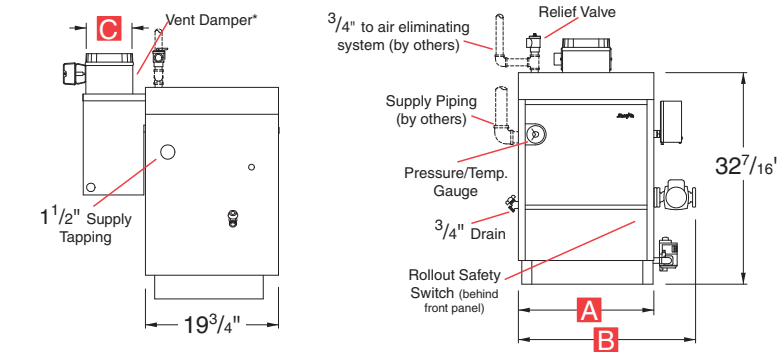
\* Net ratings are based on a piping and pick-up allowance of 1.15. Slant/Fin should be consulted before selecting a boiler for installation having unusual piping and pick-up requirements. Ratings must be reduced by 4% at 2,000 feet elevation and an additional 4% for every additional 1,000 feet elevation over 2,000 feet.  
†Type of gas: after model number, specify gas by name "Natural" or "Propane".  
Note: All Sentry boilers are tested and rated for capacity under the U.S. Dept. of Energy (D.O.E.) Test Procedure for boilers.



MODEL S-34



MODELS S-60 to S-150



**U.S.A.**  
Slant/Fin Corporation • 100 Forest Drive  
Greenvale, NY 11548 • 516-484-2600  
www.slantfin.com

**Canada**  
Slant/Fin LTD/LTEE • 6450 Northam Drive  
Mississauga, Ontario L4V 1H9 • 905-677-8400  
www.slantfin.ca