

PARTS LIST

Victory™ CAST-IRON GAS BOILERS

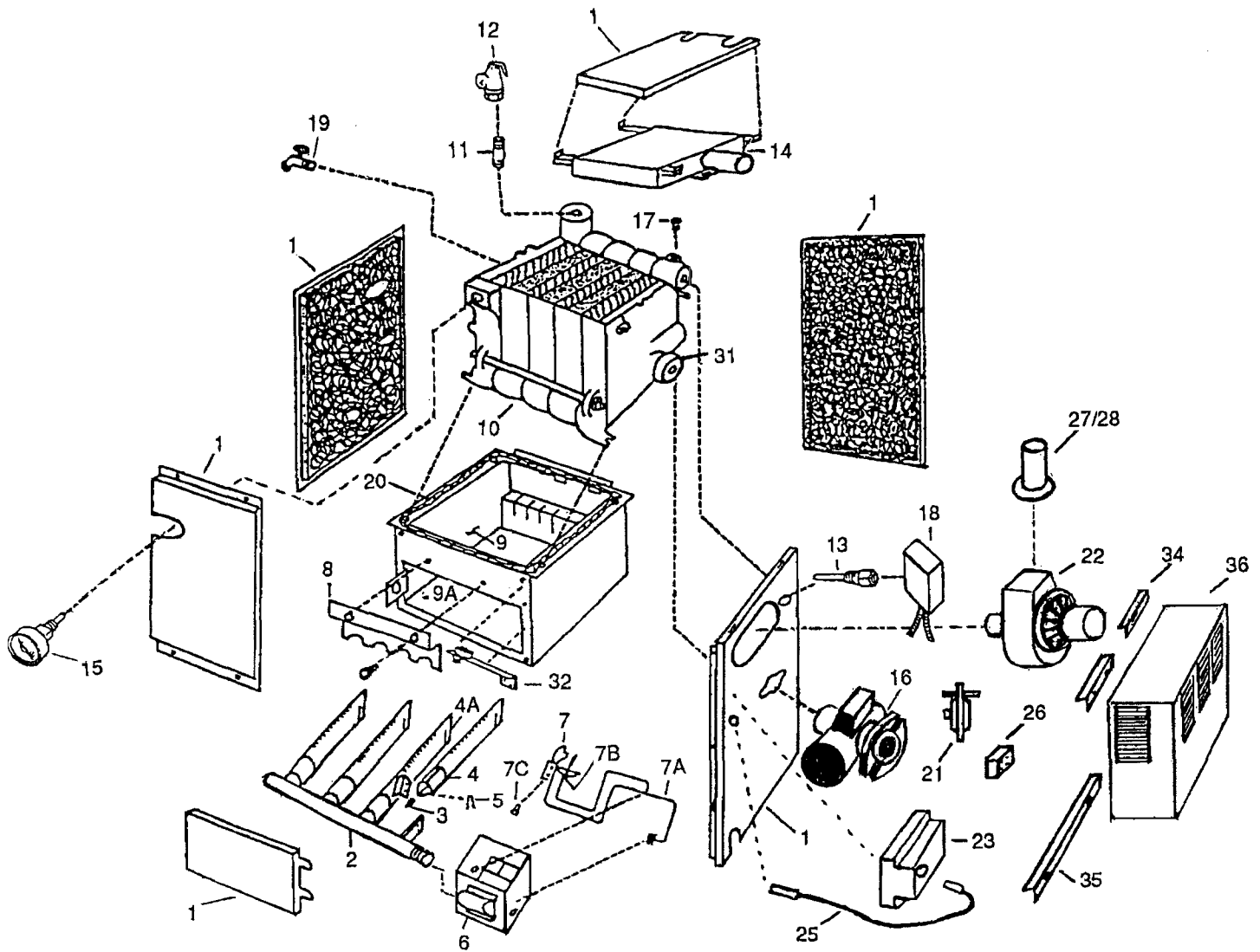
Hot Water Models

ITEM NO.	DESCRIPTION	MODEL NUMBER					
		V-33	V-60	V-90	V-120	V-150	V-180
1	Jacket Assembly	440044	440045	440046	440047	440048	440049
2	Gas Manifold	440501	440502	440503	440504	440505	440506
3	Main Burner Orifice (sea level):						
	Natural Gas	440657	440551	440551	440551	440551	440551
	LP Propane Gas	411870	440553	440553	440553	440553	440553
4	Main Burner	440539	440539	440539	440539	440539	440539
4A	Main Burner with Bkt.	440540	440540	440540	440540	440540	440540
5	Burner Clip	410509	410509	410509	410509	410509	410509
6	Gas Valve:						
	Natural Gas	440534	440534	440534	440534	440534	440534
	LP Propane Gas	440535	440535	440535	440535	440535	440535
7	Pilot Assembly:						
	Natural Gas	411612	411612	411612	411612	411612	411612
	LP Propane Gas	411857	411857	411857	411857	411857	411857
7A	Pilot Tube 1/4" O.D. Alum.	412248	412248	412248	412248	412248	412248
7B	Tubing Fitting 1/4"	411768	411768	411768	411768	411768	411768
7C	Pilot Orifice:						
	Natural Gas	410542	410542	410542	410542	410542	410542
	LP Propane Gas	410526	410526	410526	410526	410526	410526
8	Access Door	440027	440028	440029	440030	440031	440032
9	Base Assembly with insulation	440013	440014	440015	440016	440017	440018
9A	Burner Mounting Plate	440111	440112	440113	440114	440115	440116
10	Heat Exchanger Assembly	440006	440007	440008	440009	440010	440011
11	Pipe Nipple 3/4"	400225	400225	400225	400225	400225	400225
12	Relief Valve 30 PSI	400103	400103	400103	400103	400103	400103
13	Immersion Well	410569	410569	410569	410569	410569	410569
14	Flue Collector Assembly	440078	440079	440080	440081	440082	440083
15	Temperature/Pressure Gage	910373061	910373061	910373061	910373061	910373061	910373061
16	Circulator	7902022	7902022	7902022	7902022	7902022	7902022
17	Pipe Plug	902342041	902342041	902342041	902342041	902342041	902342041
18	Control, comb.limit/circulator	410538	410538	410538	410538	410538	410538
19	Drain Valve	910460011	910460011	910460011	910460011	910460011	910460011
20	Fiberglass Rope	403254	403254	403254	403254	403254	403254
21	Air Flow Pressure Switch	440510	440511	440512	440513	440514	440510
22	Draft Inducer/Inducer Inlet Assem.	440634	440635	440636	440637	440638	440639
23	Ignition Control—Natural Gas	411873	411873	411873	411873	411873	411873
24	Ignition Control—LP Gas	411872	411872	411872	411872	411872	411872
25	Ignition Cable	411874	411874	411874	411874	440153	440153
26	Inducer Relay	440543	440543	440543	440543	440543	440543
27	Vent Adapter Assembly—3"	440103	440103	440103	440103	440103	440103
28	Vent Adapter Assembly—5"	—	—	440104	440104	440104	440104
29	Tubing, plastic 1/4" x 9"	440564	440564	440564	440564	440564	440564
30	Tubing, plastic 1/4" x 4"	440567	440567	440567	440567	440567	440567
31	Gasket Flange	91009511	91009511	91009511	91009511	91009511	91009511
32	Roll Out Safety Switch	440152	440152	440152	440152	440152	440152
33	Control Cover Mtg. Angie, top	440036	440036	440036	440036	440036	440036
34	Control Cover Mtg. Angle, bottom	440037	440037	440037	440037	440037	440037
35	Control Cover Assembly	440039	440039	440039	440039	440039	440039
36	Crate Assembly	440579	440579	440580	440580	440581	440581

Replacement parts are available from
Slant/Fin Corporation
 100 Forest Drive at East Hills
 New York, N.Y. 11548

Slant/Fin®

PUBLICATION NO. V-10PL
 Printed in U.S.A. 1197
 Part No. 44-0597



OPTIONAL VENT SYSTEM PARTS

3" diameter Heat-Fab Saf-T venting system (AL29-4C stainless steel)
for horizontal or vertical pressure venting

DESCRIPTION	Slant/Fin Part No.	Heat-Fab Part No.
6" long vent pipe	440671	7301GC
12" long vent pipe	440672	7302GC
18" long vent pipe	440673	7304GC
24" long vent pipe	440674	7305GC
36" long vent pipe	440675	7307GC
48" long vent pipe	440676	7308GC
Elbow termination with screen	440678	7314TERM
Support, 6" clearance	440679	7323GCC
Support, 2" clearance	440692	7323GC2
Support clamp	440680	4327SS
45° elbow	440681	7311GC
90° elbow	440682	7314GC
TEE termination with screen	440683	7390TEE

DESCRIPTION	Slant/Fin Part No.	Heat-Fab Part No.
18" slip joint connector	440684	7324GC
Fire stop	440685	5318CI
Tee	440686	7316GC
Drain tee cover	440687	7317GCD
In-line condensate drain	440677	7320GC
Victory boiler adapter	440688	7301FIN
Wall thimble*	440695	—
Sealant GE-RTV 106 -3 oz. Tube	440690	—
Sealant Dow Corning 732 -3 oz. Tube	440691	—
Sealant Dow Corning 732 -10 oz. Cartridge	440693	—

* Must be used with slip joint connector.

Slant/Fin[®]

SLANT/FIN CORPORATION, Greenvale, NY 11548, Phone: (516) 484-2600