

## CHS Boiler Common Venting Submittal Data

Project Name: _____	Date: _____
Location: _____	
Engineer: _____	
Contractor: _____	Rep: _____

### General Specifications

**Product Features:**

- 6" Exhaust Vent Outlet and Combustion Air-Inlet manifolds
- Venting can be assembled to direct Exhaust Gas and Combustion Air-Inlet piping to the left or right
- Includes Support Brackets to secure Exhaust and Air-Inlet Manifolds to the boilers
- Exhaust Manifold is designed with a 3/8" per foot slope for condensate drainage
- Exhaust Manifold includes a drain with integrated trap to capture condensate and prevent the escape of combustion gases
- Integrated Non-Return Check Valves to prevent combustion gas from entering inactive boilers
- Long vent lengths – maximum 100' equivalent of 6" venting; for each Exhaust and Air-Inlet
- Optional sidewall or roof Direct Vent termination
- CSA Certified for North America (check with your local authority – common vent systems are NOT yet approved in some Canadian Provinces)
- Common Vent Manifold System components are UL-1738 and ULC-S636 listed
- Boilers and Common Venting can be mounted to the wall or CHS's Floor Stands
- The installer is responsible for supplying the required venting and termination components; boilers are sold separately.

► **Optional Floor Stand:**

- P/N 818-169-000 – Floor Stand CHS300-399



Product Code	818 192	818 193
Boiler Model	CHS 300-399	CHS 300-399
Number of Boilers	2	3
Exhaust Vent Size	6"	6"
Air-Inlet Vent Size	6"	6"
Vent Material	Centrotherm – InnoFlue	Centrotherm – InnoFlue
Max Vent Length	100'	100'

**⚠ WARNING**

The Slant/Fin – Common Venting Systems are designed for use with CHS 300-399 boilers only.

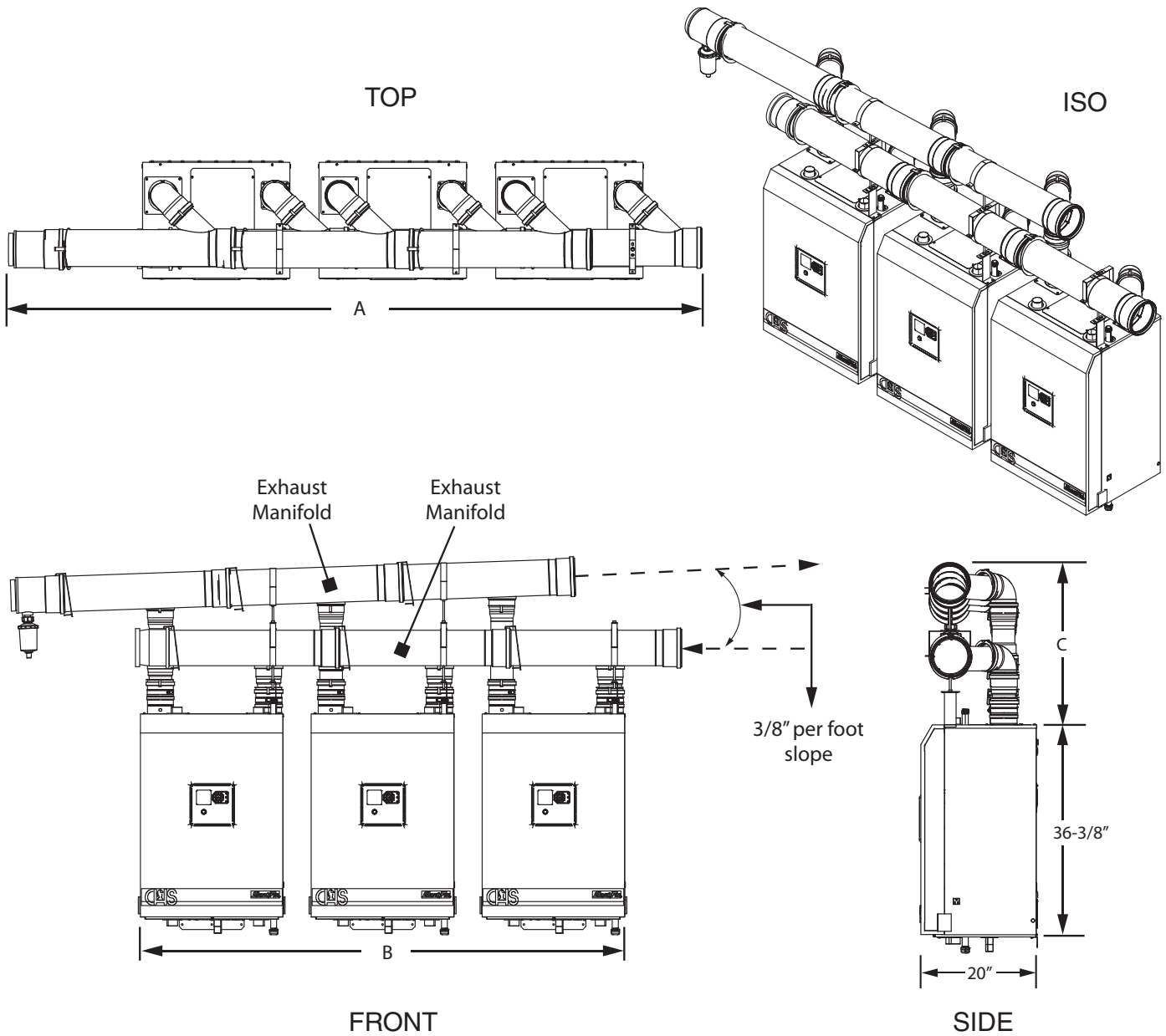
**NOTICE**

Check with your local authority for common vent system rules and regulations.

**NOTICE**

CHS 300-399 boilers are sold separately.

**Dimensions**



**Common Venting Dimensions - in.**

Product Code	Dimension A	Dimension B	Dimension C
818 192 (2 boilers)	85	55 $\frac{1}{4}$	27
818 193 (3 boilers)	110	85 $\frac{1}{4}$	28

**Common Venting Recommended Clearances - in.**

Front	Top	Sides	Back	Bottom
36	6	6	0	25