

Slant/Fin® LYNX COMBI BOILER



Modulating Condensing • Gas

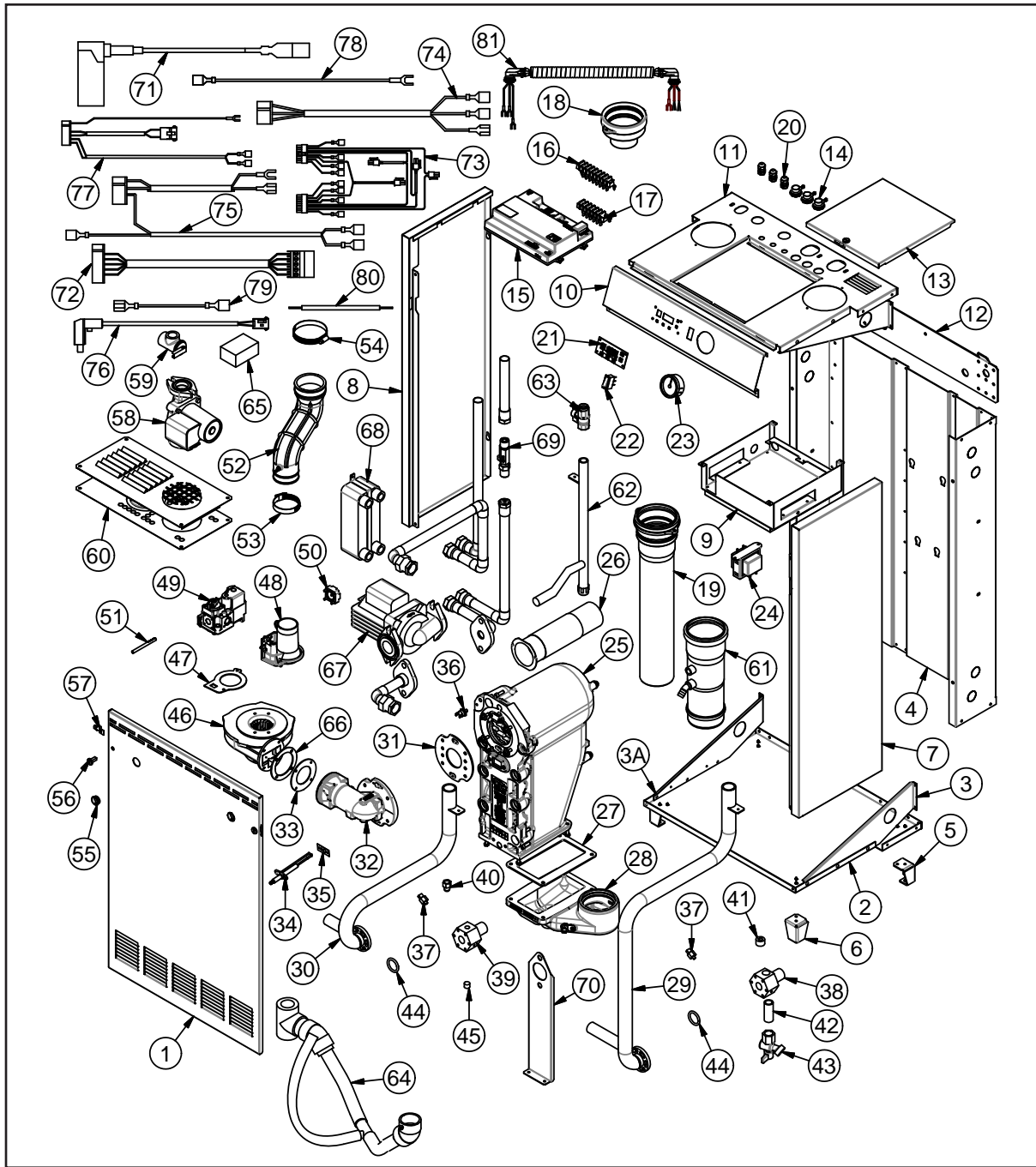
Boiler Replacement Parts List

This parts list must be left with owner, hung on or adjacent to the boiler. Owner should retain parts list for future reference.

Item No.	Description	LX-120CB	LX-150CB
1	FRONT JACKET ASSY	81 0113 000	81 0113 000
2	BASE BOTTOM ASSY	81 0208 000	81 0108 000
3	SUPPORT BRACKET	81 1105 000	81 1005 000
3A	SUPPORT BRACKET	81 1104 000	81 1004 000
4	BASE BACK ASSY	81 0117 000	81 0116 000
5	LEG LEFT	86 1127 000	86 1127 000
6	LEG RIGHT	86 1126 000	86 1126 000
7	JACKET RIGHT-SIDE PANEL	81 1021 000	81 1021 000
8	JACKET LEFT-SIDE PANEL	81 1020 000	81 1020 000
9	BASE FOR CONTROL BOARD & HEAT SHIELD SUB-ASSY	81 0105 000	81 0105 000
10	CONTROL PANEL W/STUDS SUB-ASSY	81 0111 000	81 0111 000
11	TOP PANEL & SUPPORT BRACKETS ASSY	81 0226 000	81 0318 000
12	WALL BRACKET	84 1123 000	84 1123 000
13	CONTROL COVER ASSY	81 0103 000	81 0103 000
14	3/8" STRAIGHT BX CONNECTOR	40 0309 000	40 0309 000
15	IGNITION CONTROL FOR NATURAL AND PROPANE GAS	86 2613 000	86 2613 000
16	TERMINAL BLACKS 8	86 2603 000	86 2603 000
17	TERMINAL BLACKS 6	86 2602 000	86 2602 000
18	AIR INTAKE COLLAR	86 3121 000	86 3121 000
19	UPPER FLUE PIPE	86 3122 000	86 3122 000
20	HEYCO CORDGRIPS RITCG7	86 3602 000	86 3602 000
21	LED DISPLAY	86 2612 000	86 2612 000
22	ON/OFF SWITCH	86 2601 000	86 2601 000
23	PRESSURE GAUGE	86 3611 000	86 3611 000
24	TRANSFORMER	66 0528 000	66 0528 000
25	HEAT-EXCHANGER	81 4036 000	81 4046 000
26	BURNER	81 3116 000	81 3119 000
27	GASKET	81 3107 000	81 3108 000
28	CONDENSATION (FLUE) COLLECTOR	81 3136 000	81 3146 000
29	RETURN PIPE	81 3225 000	81 3225 000
30	SUPPLY PIPE	81 3220 000	81 3220 000
31	GASKET BURNER	81 3102 000	81 3102 000
32	HOOD	81 3103 000	81 3103 000
33	GASKET, BLOWER TO BURNER	81 3117 000	81 3117 000
34	IGNITER	81 3110 000	81 3110 000
35	SEAL IGNITER	81 3124 000	81 3124 000
36	WATER HIGH LIMIT	81 2401 000	81 2401 000
37	WATER SENSOR	84 2410 000	84 2410 000
38	RETURN TRANSITION ADAPTER	81 4005 003	81 4005 002
39	SUPPLY TRANSITION ADAPTER	81 4005 004	81 4005 001
40	CHECK VALVE	86 3402 000	86 3402 000
41	1/2" HEX SOCKET PLUG	81 3140 000	81 3140 000
42	1/2-2" NPT NIPPLE	10 2080 301	10 2080 301
43	1/2" DRAIN VALVE	84 3431 000	84 3431 000
44	O-RING	86 3401 000	86 3401 000
45	1/4" HEX SOCKET PLUG	81 3139 000	81 3139 000
46	BLOWER	86 3215 000	86 3215 000
47	GASKET	86 3214 000	86 3214 000
48	VENTURI	86 3209 000	86 3209 000
49	GAS VALVE HONEYWELL VK8115V-1036	86 3208 000	86 3208 000
50	STRAIGHT FLANGE	86 3213 000	86 3213 000
51	TUBING 1/8" I.D.	66 0598 006	66 0598 006
52	AIR INTAKE HOSE	81 3115 000	81 3115 000
53	2" DIA CLAMP	86 3211 000	86 3211 000
54	3" DIA CLAMP	86 3205 000	86 3205 000
55	SNAP BUSHING	50 0385 000	50 0385 000
56	1/4 LATCH PAWL SLOTTED STUB	00 5074 000	00 5074 000
57	1/4 TURN PAWL LATCH	00 5075 000	00 5075 000
58	CIRCULATOR	86 3804 000	86 3804 000
59	SAFETY RELIEF VALVE	65 0550 000	65 0550 000
60	VENT/AIR TERMINATION KIT FOR PVC	84 0802 000	84 0802 000
61	LOWER FLUE PIPE WITH CONDENSATION TRAP	86 3123 000	86 3123 000
62	GAS PIPE WELD SUB-ASSY	81 0122 100	81 0122 000
63	GAS VALVE	86 3803 000	86 3803 000
64	CONDANSATION TRAP/REMOVAL ASSY	81 0121 000	81 0121 000
65	OUT DOOR SENSOR KIT (12 K Ohm)	86 3805 000	86 3805 000
66	BLOWER ORIFICE 1 3/8"	81 3204 001	-
67	DHW CIRCULATOR	67 3036 000	67 3036 000
68	PLATE HEAT EXCHANGER LA14-20X	67 3001 000	67 3001 000
69	FLOW SWITCH FS 380	67 3043 000	67 3043 000
70	CIRCULATOR SUPPORT BRACKET	81 1023 000	81 1023 000
71	SPARK CABLE	86 2101 100	86 2101 100
72	J9 BLOWER CONNECTOR HARNESS	81 2103 000	81 2103 000
73	J5 CONNECTOR HARNESS	81 2102 000	81 2102 000
74	J6 CONNECTOR HARNESS	86 2105 000	86 2105 000
75	J2 CONNECTOR HARNESS	86 2107 000	86 2107 000
76	GAS VALVE CABLE	86 2113 000	86 2113 000
77	J13CONNECTOR HARNESS	81 2101 000	81 2101 000
78	GROUND WIRE	86 2100 000	86 2100 000
79	CIRCULATOR JUMPER	86 2110 000	86 2110 000
80	LOW WATER CUTOFF JUMPER	86 2111 000	86 2111 000
81	DHW CIRCULATOR HARNESS FOR COMBI BOILERS	81 2104 000	81 2104 000

When ordering replacement parts: specify the model number, serial number and gas by name (natural or propane).
For replacement parts, heating contractors should contact their Slant/Fin boiler distributor.

PUBLICATION NO. LXCB-10PL
Printed in U.S.A. 913
Part No. 81 5013 000



OPTIONAL VENT SYSTEM PARTS

3" Diameter Heat-Fab Saf-T EZ Seal venting system (AL29-4C stainless steel)

Description	Part No.	Heat-Fab EZ Seal Part No.
6" long vent pipe	45 5020 000	9301
12" long vent pipe	45 5021 000	9302
18" long vent pipe	45 5022 000	9304
24" long vent pipe	45 5023 000	9305
37 1/2" long vent pipe	45 5024 000	9307
Elbow termination with screen	44 0678 000	7314TERM
Support, 6" clearance	44 0679 000	7323GCC
Support, 2" clearance	44 0692 000	7323GC2
Support clamp	44 0680 000	4327SS
45° elbow	45 5017 000	9311

Description	Part No.	Heat-Fab EZ Seal Part No.
90° elbow, standard radius	45 5019 000	9314LR
TEE termination with screen	44 0683 000	7390TEE
Stainless steel pipe adaptor	84 0907 000	
Vent/air intake Termination for S.S. Venting system	84 0804 000	
Slip joint connector (6"-19")	45 5025 000	9324
Fire stop	44 0685 000	5318CI
90° elbow, tight radius	45 5018 000	9314
Wall thimble * (5"-8" Wall)	44 0695 000	
Straight termination with screen	66 0548 000	7392GC
Gasket for P.P. vent termination	81 3005 000	