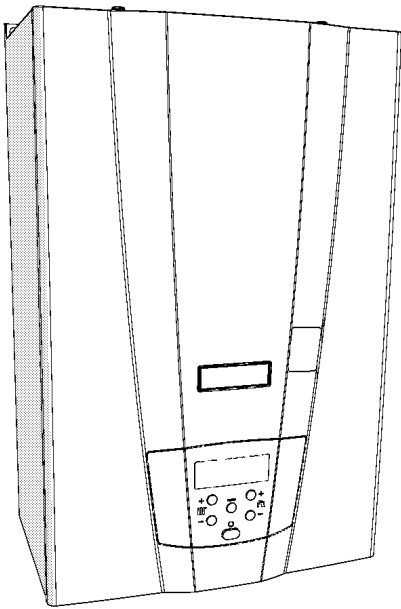


## 18 - SPARE PARTS

---

# Spare parts for gas-fired condensing hot water heaters series:

## 90A

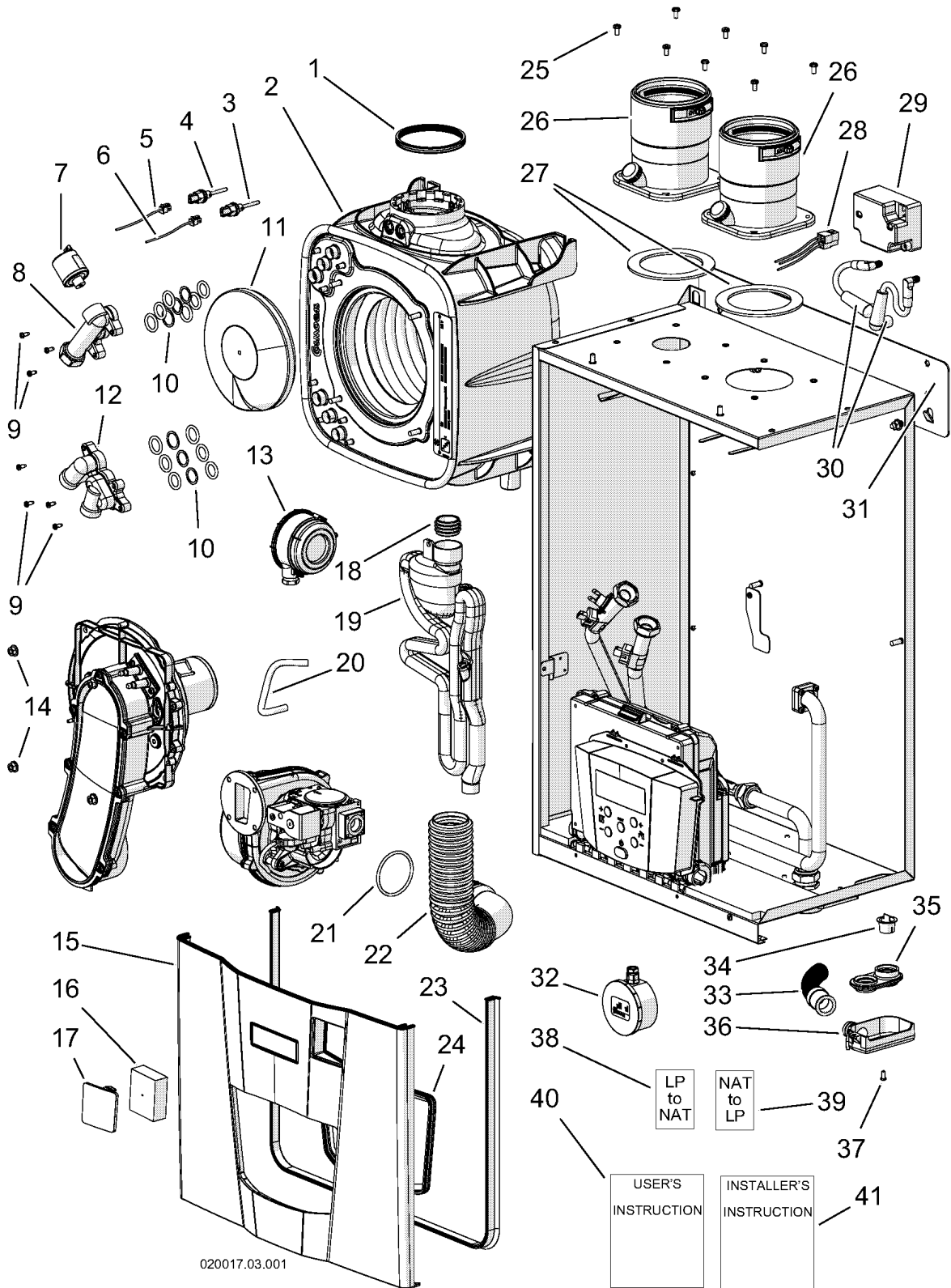


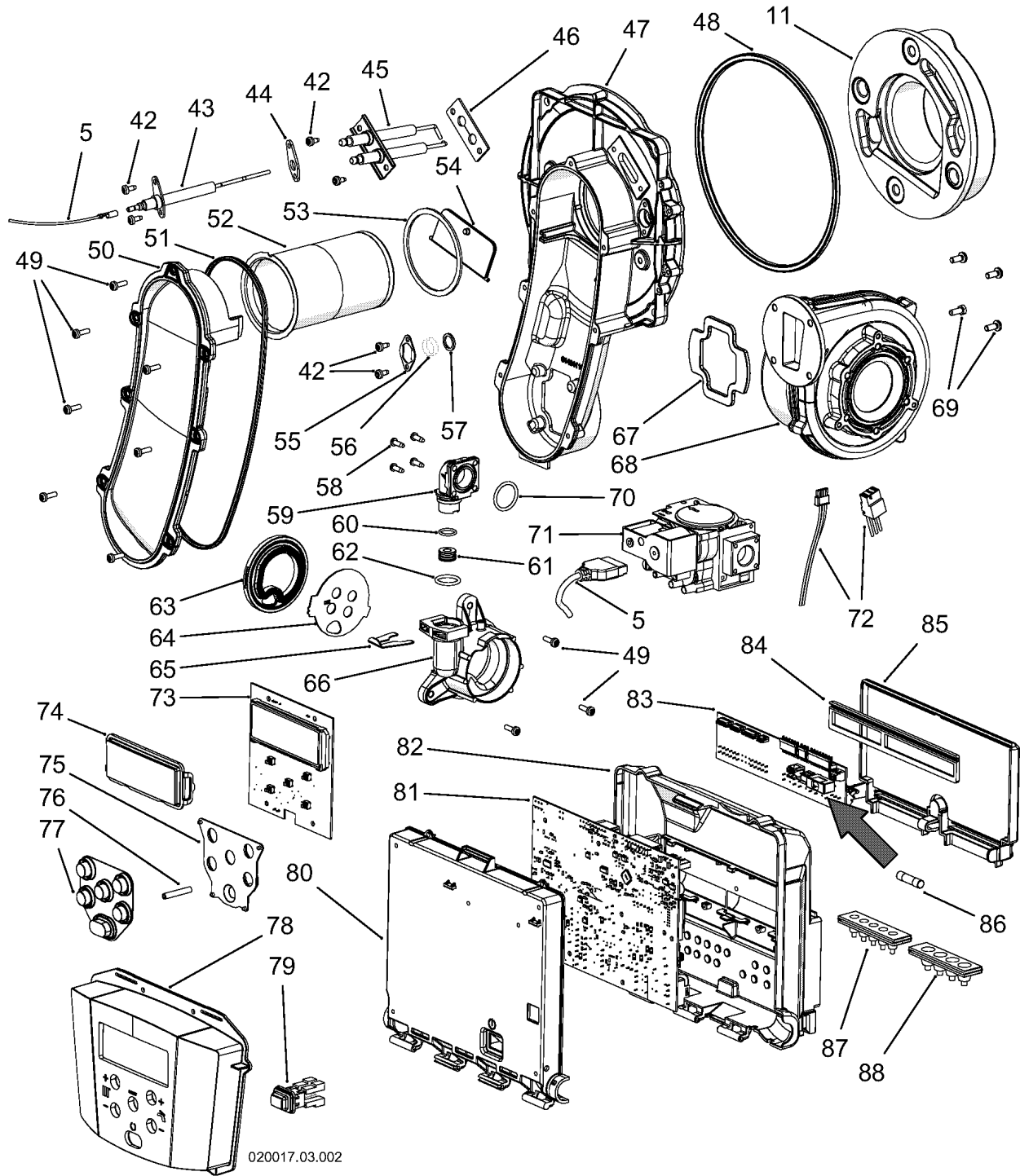
DESCRIPTION	MOD
90A	A

**WARNING!!!** Only use the heater in the combinations and with the spare parts listed in this manual. Failure to do so can cause severe personal injury or death.

# 18 - SPARE PARTS

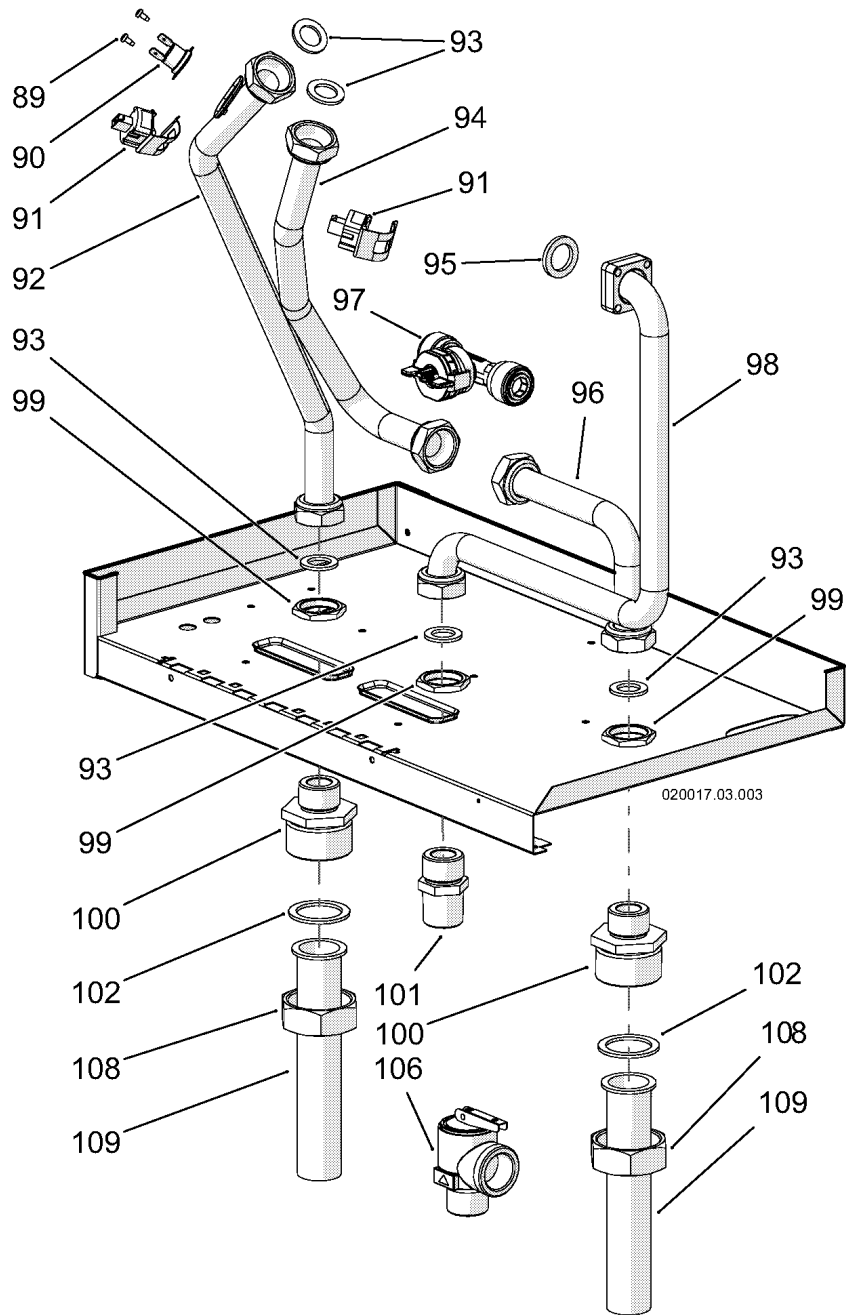
# 90A





# 18 - SPARE PARTS

# 90A



# 18 - SPARE PARTS

# 90A

DESCRIPTION	MOD.
BOILER 90A	A

N	CODE	DESCRIPTION	MOD
1	60702063	2 LIPS JOINT D.81,4 H.7,5	A
2	62649017	CONDENSING HEAT EXCHANGER 70KW 15T ASME M/A	A
3	62111041	BAYONETTE SENSOR NTC 10K 2P MOLEX	A
4	62111042	BAYONETTE FUSE 102°C 2P MOLEX	A
5	60504271	GAS CABLE V. UL 885	A
6	60504288	SENSOR CABLE UL 885	A
7	62113045	PRESSURE GAUGE 0-10 BAR	A
8	61408017	BRASS UPPER BY-PASS CONNECTION 2/1	A
9	60801014	SCREW 4X10 ZINC TC-CR	A
10	62616111	KIT FOR 6 OR AND 3 WASHERS	A
11	62632006	KIT THERMAL INSULATIONS	A
12	61408015	BRASS LOWER BY-PASS CONNECTION	A
13	62113046	PRESSURE SWITCH ON 3,2 INWC	A
14	60802005	NUT ZINC COATED 6MA	A
15	62610105	COMPLETE FRONT COVER 90A-250A SLANT/FIN	A
16	60907036	POLYURETHANE CAP FOR BOILER SETTING	A
17	61405262	CAP FOR BOILER SETTING	A
18	60702073	3 LIPS EPDM JOINT D32.4 F24.4	A
19	61405276	CONDENSATE DISCHARGE SIPHON	A
20	60320001	SILICONE PIPE D.4X8	A
21	60702072	O-RING 156 NBR 3,53 X 52,39	A
22	62651054	HIGH POWER SILENCER GROUP	A
23	60703051	1 LIP EXTRUDED JOINT	A
24	60703050	1 LIP SHAPED JOINT	A
25	60801159	SCREW 4X14 GALVANIZED	A
26	61405350	VENT ADAPTOR AS/SC 3P	A
27	60702102	GASKET EPDM 80X110X3	A
28	60504270	CABLE IGNITER UL 885	A
29	60510022	SPARK GENERATOR	A
30	60504206	CABLE UL IGNITOR CONN 90° L155	A
31	60411149	WALL BRACKET 100X489	A
32	62110067	OUTDOOR SENSOR	A
33	60322017	CORRUGATED PIPE D.20	A
34	61405314	TANG PLUG TAPERED 18.3-20.8	A
35	60702069	EPDM BLACK JOINT 75X35 2 HOLES	A
36	61405268	DISCHARGE KETTLE 80X47	A
37	60801043	SCREW SELFTAPPING 3.9 X 9.5 CROSS HEAD	A
38	62630205	LP TO NAT GAS CONV KIT 90A SLANT FIN	A
39	62630201	NAT TO LP GAS CONV KIT 90A SLANT FIN	A
40	62417023	VSLII SLANT FIN 90A-250A USER INSTRUCTION	A
41	62403606	VSLII SLANT FIN 90A-250A INSTALLER INSTRUCTION	A
42	60801080	SCREW SELFTAPPING 4X10 TC S-TT UNI-8112	A
43	60505029	DETECTION ELECTRODE	A
44	60701023	GASKET KERASIL 325R SQ 38X17X2	A
45	60505028	IGNITION ELECTRODE	A
46	60701022	GASKET KERASIL 325R SQ 56X22X2	A

# 18 - SPARE PARTS

# 90A

DESCRIPTION	MOD.
BOILER 90A	A

N	CODE	DESCRIPTION	MOD
47	61404118	COLLECTOR BASE FOR BURNER D.73	A
48	60703047	SIL. GASKET D.200 F.188 H.7,2	A
49	60801108	SELFTAPPING SCREW 4X14 TCC-NP UNI-8112	A
50	61404119	MANIFOLD COVER D.73	A
51	60703048	SIL. GASKET D.215 F.210 H.5,4	A
52	62629046	FIBER BURNER D.70 H120	A
53	60701019	KERASIL GASKET 325R SQ Ø 80.5 MM	A
54	61405174	BACK FLUE-GASES PREVENTER	A
55	60404253	FLANGE L21,2 H34 SP1	A
56	60815013	PIREX GLASS D15,5 SP5	A
57	60701013	GASKET FRIZITE D15,5 F11,5 SP1,5	A
58	60801136	SCREW SELFTAPPING 4X12 TC S-TT UNI-8112	A
59	61404121	90° INTERNAL ELBOW	A
60	60702052	O-RING 2050 EPDM 1,78 X 12,42	A
61	60114102	GAS DIAPHRAGM D.15,5 H8 HOLE D.4,7	A
61	60114101	GAS DIAPHRAGM D.15,5 H8 HOLE D.3,7	A
62	60702065	O-RING 2,62 X 17,86	A
63	60702064	SHAPED GASKET DIAM. 71,2 H. 9,2	A
64	60406131	5 HOLES DIAPHRAGM GAS	A
65	60807012	PLATE CLAP	A
66	61404120	COSMOMIX GAS MIXER	A
67	60703030	SILICON GASKET D83 SP3,5	A
68	61901038	ELECTRIC FAN NRG118 61W 115V	A
69	60801021	BOLT 5X12 CROSS HEAD	A
70	60702029	O-RING 130 2,62 X 22,22	A
71	61201040	GAS VALVE SIGMA848 120V	A
72	60504272	FAN CABLE UL 885	A
73	62110089	DISPLAY TYPE 885LB01	A
74	61405264	DISPLAY GLASS	A
75	61405259	PLASTIC BUTTONS COVER	A
76	60503060	SPACER 5X1,2 L=30	A
77	61405254	6 BUTTONS SWITCH	A
78	61405336	FRONT COVER WITHOUT LOGO	A
79	60506029	BUTTON SWITCH	A
80	61405255	CARD BOX BASE	A
81	62110088	CONTROL BOARD 885MN10 110 V	A
82	61405256	PANEL COVER	A
83	60507061	CONNEXION CARD 185,6 X 42 USA	A
84	60703052	RECTANGULAR SIL. GASKET 179X26	A
85	61405257	CONNECTIONS BOARD COVER	A
86	60503068	FUSE 1 P 1/4 X 1/4 3,15A RIT.	A
87	61103014	5 EXITS GUM D.8	A
88	61103013	4 EXITS GUM D.12	A
89	60801100	SCREW SELFTAPPING 2.9 X 6.5 CROSS HEAD	A
90	62101079	AUTOMATIC SAFETY THERMOSTAT 95°C	A
91	62111035	CLIP SENSOR 2 POLES D18 MM	A

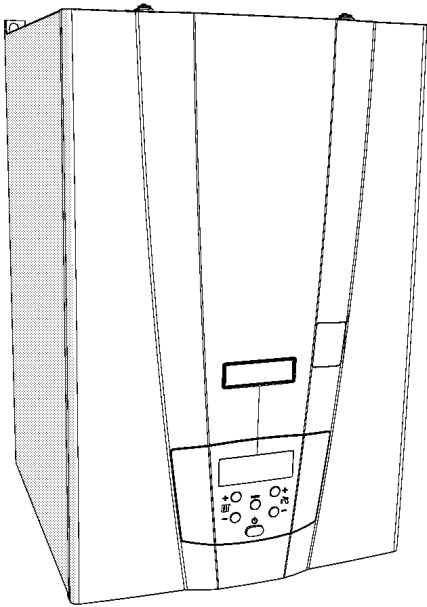
# 18 - SPARE PARTS

# 90A

DESCRIPTION	MOD.
BOILER 90A	A

N	CODE	DESCRIPTION	MOD
92	62623367	COPPER TUBE D.18	A
93	60701006	GASKET 3/4P 24X15X2 KLINSIL	A
94	62623366	COPPER TUBE D.18	A
95	60702101	GASKET 27X18X3 NBR EN549	A
96	62623365	COPPER TUBE D.18 3/4P-3/4P 90°	A
97	61212013	VORTEX FLOW SENSOR DN15 3/4'	A
98	62626004	STAINLESS STEEL PIPE D.18 GAS 90	A
99	60802018	3/4" RING NUT	A
100	60110049	BRASS NIPPLE 1P1/4 - 3/4P H=46	A
101	60110050	NIPPLE LAITON 3/4" GAZ -3/4" NPT H=46	A
102	60701008	1"1/2 GASKET	A
103	xxxxxxx	#N/D	x
104	xxxxxxx	#N/D	x
105	xxxxxxx	#N/D	x
106	61205010	3/4NPT M 30PSI ASME SAFETY RELIEF VALVE	A
107	xxxxxxx	#N/D	x
108	60303009	CALIBRATED STRAIGHT TUBE D.28 L150	A
109	60109011	CAP CH46X17	A

# Spare parts for gas-fired condensing hot water heaters series:



130A  
150A  
199A  
250A

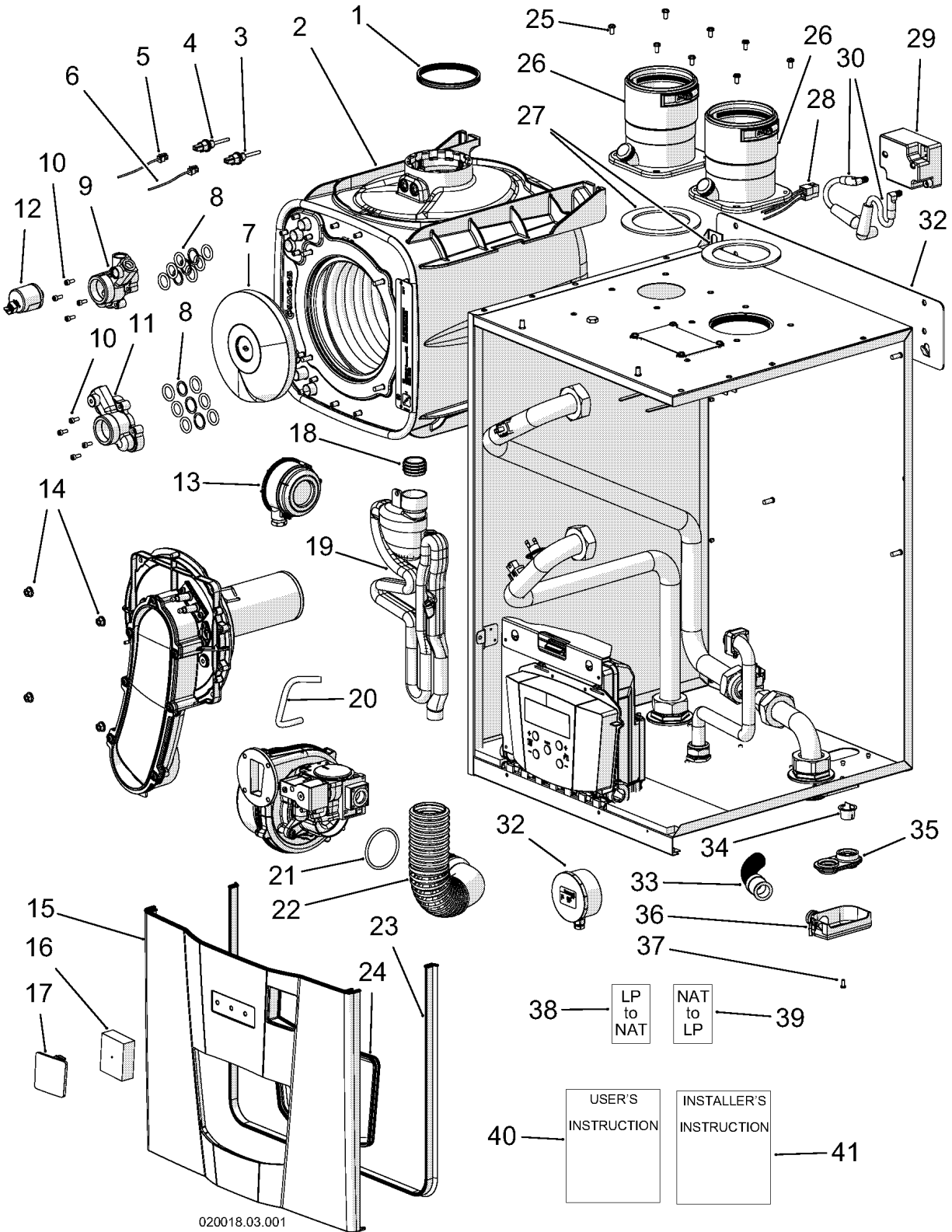
DESCRIPTION	MOD
130A	B
150A	C
199A	D
250A	E

**WARNING!!!** Only use the heater in the combinations and with the spare parts listed in this manual. Failure to do so can cause severe personal injury or death.



# 18 - SPARE PARTS

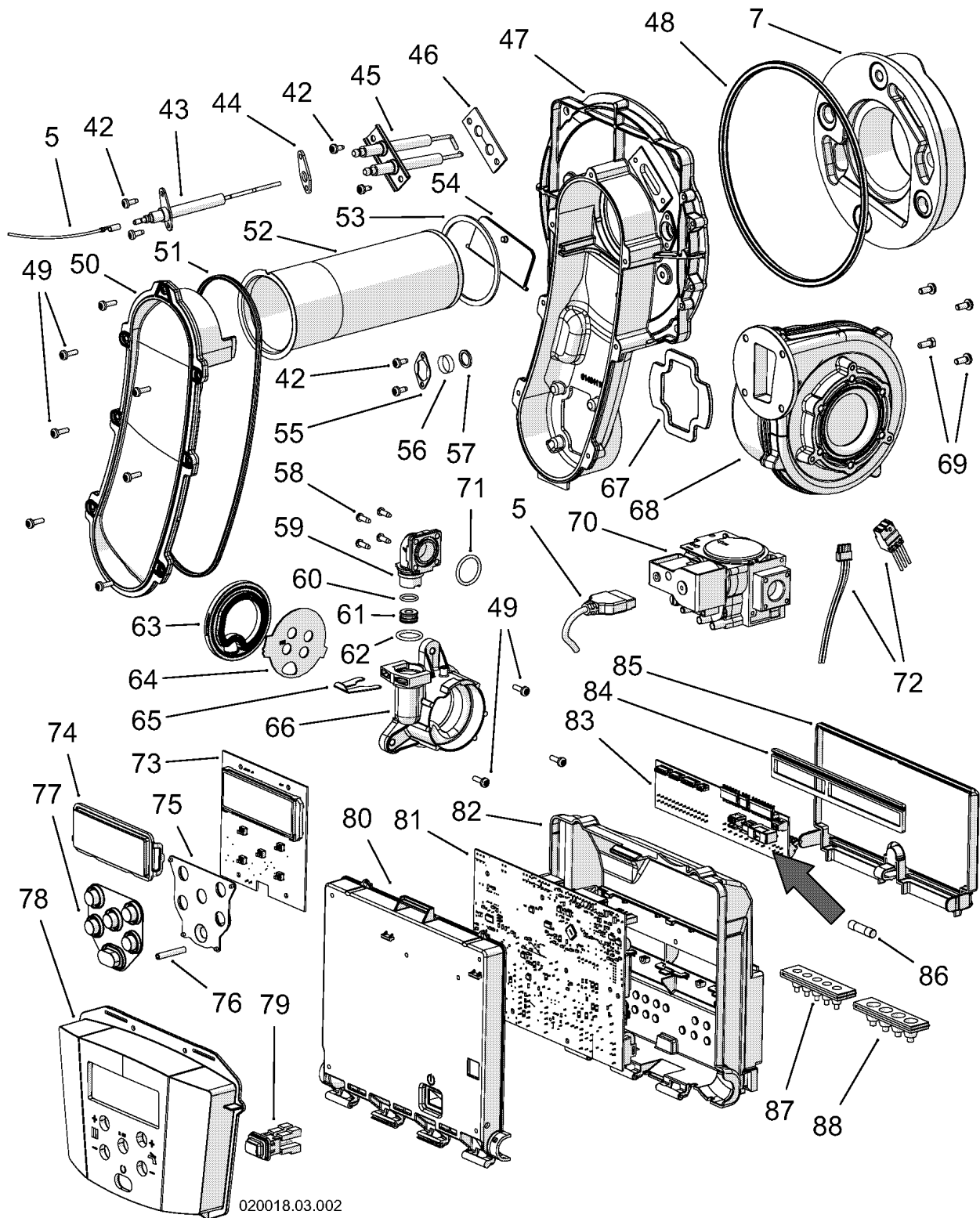
130A - 150A - 199A - 250A



020018.03.001

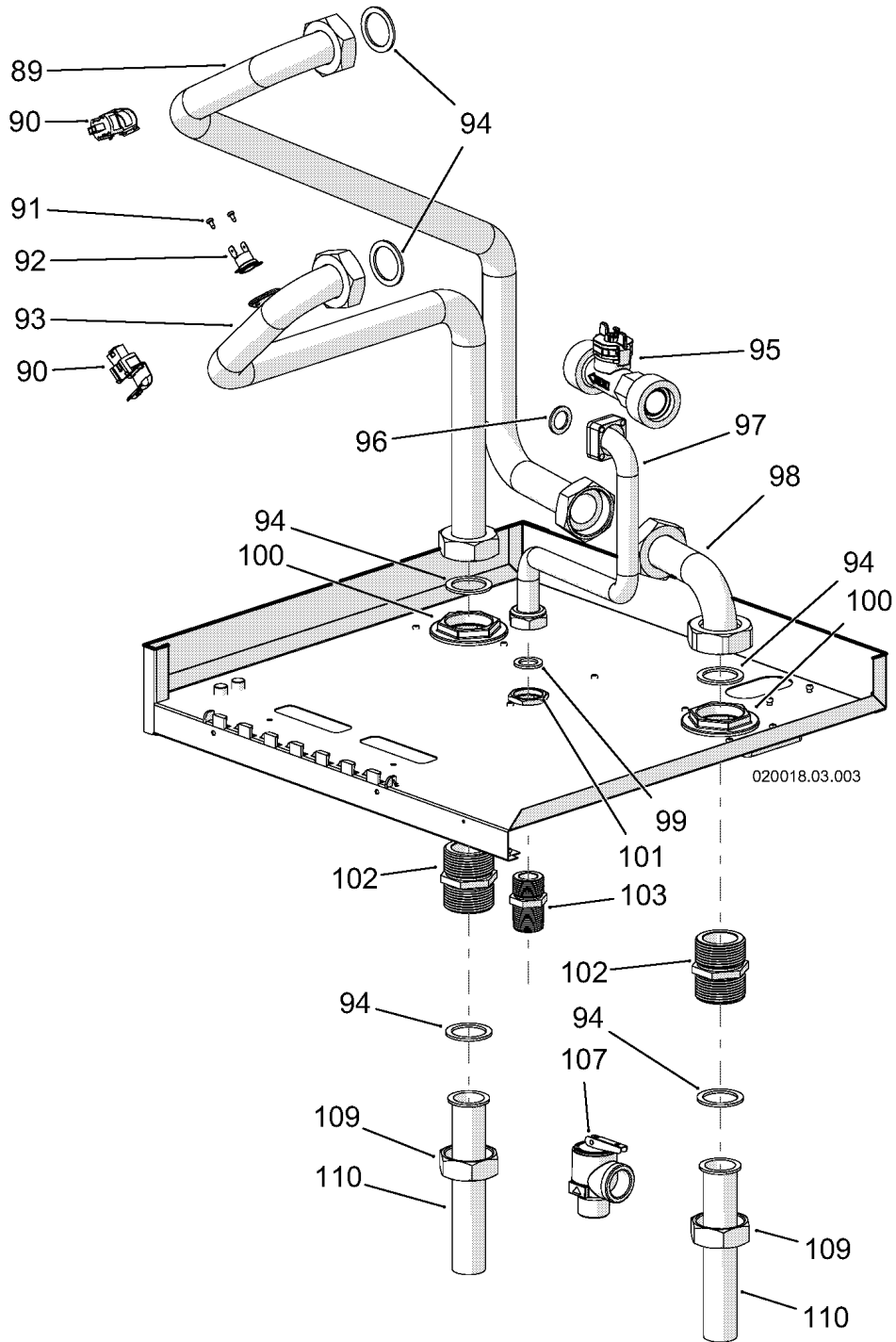
# 18 - SPARE PARTS

# 130A - 150A - 199A - 250A



# 18 - SPARE PARTS

# 130A - 150A - 199A - 250A



# 18 - SPARE PARTS

# 130A - 150A - 199A - 250A

DESCRIPTION	MOD.	DESCRIPTION	MOD.
BOILER 130A	B	BOILER 199A	D
BOILER 150A	C	BOILER 250A	E

N	CODE	DESCRIPTION	MOD
1	60702063	2 LIPS JOINT D.81,4 H.7,5	BCDE
2	62649053	CONDENSING HEAT EXCHANGER 58KW 12T ASME H	BC
2	62649018	CONDENSING HEAT EXCHANGER 70KW 15T ASME H	DE
3	62111041	BAYONETTE SENSOR NTC 10K 2P MOLEX	BCDE
4	62111042	BAYONETTE FUSE 102°C 2P MOLEX	BCDE
5	60504271	GAS CABLE V. UL 885	BCDE
6	60504288	SENSOR CABLE UL 885	BCDE
7	62632006	KIT THERMAL INSULATIONS	BCDE
8	62616111	KIT FOR 6 OR AND 3 WASHERS	BCDE
9	61408013	BRASS CONNECTION 1"1/4 RETURN	BCDE
10	60801151	SCREW 4X10 GALVANIZED	BCDE
11	61408014	BRASS CONNECTION 1"1/4 SUPPLY	BCDE
12	62113045	PRESSURE GAUGE 0-10 BAR	BCDE
13	62113046	PRESSURE SWITCH ON 3,2 INWC	BCDE
14	60802005	NUT ZINC COATED 6MA	BCDE
15	62610105	COMPLETE FRONT COVER 90A-250A SLANT/FIN	BCDE
16	60907036	POLYURETHANE CAP FOR BOILER SETTING	BCDE
17	61405262	CAP FOR BOILER SETTING	BCDE
18	60702073	3 LIPS EPDM JOINT D32.4 F24.4	BCDE
19	61405276	CONDENSATE DISCHARGE SIPHON	BCDE
20	60320001	SILICONE PIPE D.4X8	BCDE
21	60702072	O-RING 156 NBR 3,53 X 52,39	BCDE
22	62651054	HIGH POWER SILENCER GROUP	BCDE
23	60703051	1 LIP EXTRUDED JOINT	BCDE
24	60703050	1 LIP SHAPED JOINT	BCDE
25	60801159	SCREW 4X14 GALVANIZED	BCDE
26	61405350	VENT ADAPTOR AS/SC 3P	BCDE
27	60702102	GASKET 80X110X3	BCDE
28	60504270	CABLE IGNITER UL 885	BCDE
29	60510022	SPARK GENERATOR	BCDE
30	60504206	CABLE UL IGNITOR CONN 90° L155	BCDE
31	60411149	WALL BRACKET 100X489	BCDE
32	62110067	OUTDOOR SENSOR	BCDE
33	60322017	CORRUGATED PIPE D.20	BCDE
34	61405314	TANG PLUG TAPERED 18.3-20.8	BCDE
35	60702069	EPDM BLACK JOINT 75X35 2 HOLES	BCDE
36	61405268	DISCHARGE KETTLE 80X47	BCDE
37	60801043	SCREW SELFTAPPING 3.9 X 9.5 CROSS HEAD	BCDE
38	62630206	LP TO NAT GAS CONV KIT 130A 150A SLANT FIN	BC
38	62630207	LP TO NAT GAS CONV KIT 199A SLANT FIN	D
38	62630208	LP TO NAT GAS CONV KIT 250A SLANT FIN	E
39	62630202	NAT TO LP GAS CONV KIT 130A 150A SLANT FIN	BC
39	62630203	NAT TO LP GAS CONV KIT 199A SLANT FIN	D
39	62630204	NAT TO LP GAS CONV KIT 250A SLANT FIN	E
40	62417023	VSLII SLANT FIN 90A-250A USER INSTRUCTION	BCDE
41	62403606	VSLII SLANT FIN 90A-250A INSTALLER INSTRUCTION	BCDE

# 18 - SPARE PARTS

# 130A - 150A - 199A - 250A

DESCRIPTION	MOD.	DESCRIPTION	MOD.
BOILER 130A	B	BOILER 199A	D
BOILER 150A	C	BOILER 250A	E

N	CODE	DESCRIPTION	MOD
42	60801080	SCREW SELFTAPPING 4X10 TC S-TT UNI-8112	BCDE
43	60505029	DETECTION ELECTRODE	BCDE
44	60701023	GASKET KERASIL 325R SQ 38X17X2	BCDE
45	60505028	IGNITION ELECTRODE	BCDE
46	60701022	GASKET KERASIL 325R SQ 56X22X2	BCDE
47	61404118	COLLECTOR BASE FOR BURNER D.73	BCDE
48	60703047	SIL. GASKET D.200 F.188 H.7,2	BCDE
49	60801108	SELFTAPPING SCREW 4X14 TCC-NP UNI-8112	BCDE
50	61404119	MANIFOLD COVER D.73	BCDE
51	60703048	SIL. GASKET D.215 F.210 H.5,4	BCDE
52	62629045	FIBER BURNER D.70 H200	BCDE
53	60701019	KERASIL GASKET 325R SQ Ø 80,5 MM	BCDE
54	61405174	BACK FLUE-GASES PREVENTER	BCDE
55	60404253	FLANGE L21,2 H34 SP1	BCDE
56	60815013	PIREX GLASS D15,5 SP5	BCDE
57	60701013	GASKET FRIZITE D15,5 F11,5 SP1,5	BCDE
58	60801136	SCREW SELFTAPPING 4X12 TC S-TT UNI-8112	BCDE
59	61404121	90° INTERNAL ELBOW	BCDE
60	60702052	O-RING 2050 EPDM 1,78 X 12,42	BCDE
61	60114104	GAS DIAPHRAGM D.15,5 H8 HOLE D.8,4	BC
61	60114096	GAS DIAPHRAGM D.15,5 H8 HOLE D.5,7	BC
61	60114093	GAS DIAPHRAGM D.15,5 H8 HOLE D.7	D
61	60114105	GAS DIAPHRAGM D.15,5 H8 HOLE D.11	E
61	60114103	GAS DIAPHRAGM D.15,5 H8 HOLE D.7,2	E
62	60702065	O-RING 2,62 X 17,86	BCDE
63	60702064	SHAPED GASKET DIAM. 71,2 H. 9,2	BCDE
64	60406138	AIR MIXER DIAPHRAGM 5 D.10-1 D.17	BC
64	60406144	AIR MIXER DIAPHRAGM 6 D.10	DE
65	60807012	PLATE CLAP	BCDE
66	61404120	COSMOMIX GAS MIXER	BCDE
67	60703030	SILICON GASKET D83 SP3,5	BCDE
68	61901038	ELECTRIC FAN NRG118 61W 115V	BC
68	61901036	BOILER FAN 135 KW 115V	D
68	61901042	ELECTRIC FAN NRG137 250W 115V	E
69	60801021	BOLT 5X12 CROSS HEAD	BCDE
70	61201040	GAS VALVE SIGMA848 120V	BCDE
71	60702029	O-RING 130 2,62 X 22,22	BCDE
72	60504272	FAN CABLE UL 885	BCDE
73	62110089	DISPLAY TYPE 885LB01	BCDE
74	61405264	DISPLAY GLASS	BCDE
75	61405259	PLASTIC BUTTONS COVER	BCDE
76	60503060	SPACER 5X1,2 L=30	BCDE
77	61405254	6 BUTTONS SWITCH	BCDE
78	61405336	FRONT COVER WITHOUT LOGO	BCDE
79	60506029	BUTTON SWITCH	BCDE
80	61405255	CARD BOX BASE	BCDE

# 18 - SPARE PARTS

# 130A - 150A - 199A - 250A

DESCRIPTION	MOD.	DESCRIPTION	MOD.
BOILER 130A	B	BOILER 199A	D
BOILER 150A	C	BOILER 250A	E

N	CODE	DESCRIPTION	MOD
81	62110088	CONTROL BOARD 885MN10 110 V	BCDE
82	61405256	PANEL COVER	BCDE
83	60507061	CONNEXION CARD 185,6 X 42 USA	BCDE
84	60703052	RECTANGULAR SIL. GASKET 179X26	BCDE
85	61405257	CONNECTIONS BOARD COVER	BCDE
86	60503068	FUSE 1 P 1/4 X 1/4 3,15A RIT.	BCDE
87	61103014	5 EXITS GUM D.8	BCDE
88	61103013	4 EXITS GUM D.12	BCDE
89	62621190	COPPER PIPE D28	BCDE
90	62111035	CLIP SENSOR 2 POLES D18 MM	BCDE
91	60801100	SCREW SELFTAPPING 2.9 X 6.5 CROSS HEAD	BCDE
92	62101079	AUTOMATIC SAFETY THERMOSTAT 95°C	BCDE
93	62621188	COPPER PIPE D28 SLANT. NO WELD	BCDE
94	60701007	1"1/4 GASKET	BCDE
95	61212014	VORTEX FLOW SENSOR	BCDE
96	60702101	GASKET 27X18X3 NBR EN549	BCDE
97	62626005	STAINLESS STEEL PIPE D.18 GAS 130-150	BC
97	62626006	STAINLESS STEEL PIPE D.18 GAS 199	D
97	62626007	STAINLESS STEEL PIPE D.18 GAS 250	E
98	62621147	COPPER PIPE D28 F/F 1P1/4 1P1/2 L=105	BCDE
99	60701006	GASKET 3/4P 24X15X2 KLINSIL	BCDE
100	60802027	LOCK G 1 1/4P D65 SP10	BCDE
101	60802018	3/4" RING NUT	BCDE
102	60110048	BRASS NIPPLE 1"1/4 F.29 H=52	BCDE
103	60110050	NIPPLE LAITON 3/4" GAZ -3/4" NPT H=46	BCDE
104	xxxxxxx	#N/D	x
105	xxxxxxx	#N/D	x
106	xxxxxxx	#N/D	x
107	61205010	3/4NPT M 30PSI ASME SAFETY RELIEF VALVE	BCDE
108	xxxxxxx	#N/D	x
109	60109011	CAP CH46X17	BCDE
110	60303009	CALIBRATED STRAIGHT TUBE D.28 L 150	BCDE