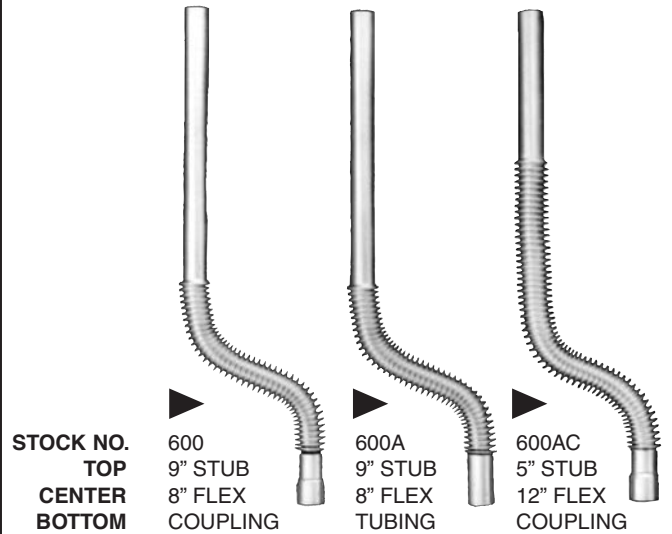


Slant/Fin® Fast/Flex® Bronze Connectors



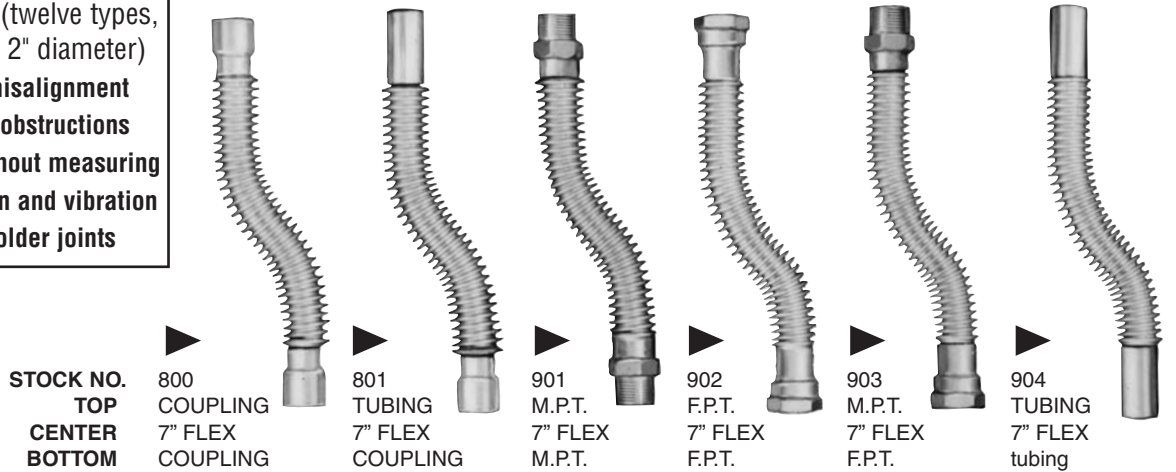
BASEBOARD RISER FITTINGS Sizes from 1/2" to 1 1/4" I.D.



The complete line (twelve types, in sizes from 1/2" to 2" diameter)

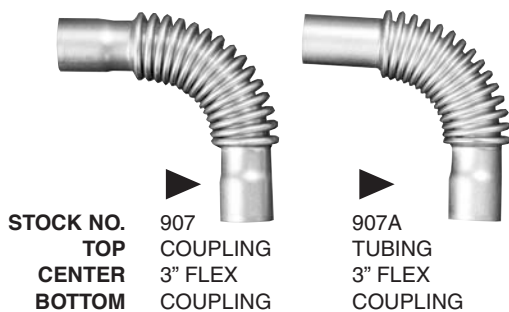
- Compensate for misalignment
- Fit piping around obstructions
- Get perfect fit without measuring
- Soak up expansion and vibration
- Eliminate many solder joints

GENERAL PURPOSE FITTINGS Sizes from 1/2" to 2" I.D.; larger sizes on special order.



ELBOW FITTINGS

Sizes: 1/2", 3/4", 1"



BRAIDED HOSE COUPLING

Sizes: 1/2" to 2"



INSTALLATION INSTRUCTIONS: Clean fittings before soldering. Use non-acid (rosin) flux. Install Fast/Flex so that expansion or vibration movement will be at right angles to the flex section, and will not subject it to "accordion action." Avoid outside abrasion of the flex section. Do not twist hose when tightening threaded fittings.

WORKING PRESSURES: Maximum working pressure, 150 PSI, up to 300°F. on all items up to 1 1/4" diameter; for larger sizes, 75 PSI where both ends are anchored and cannot elongate; otherwise 30 PSI. (Bursting pressures are much higher, but slight elongation of hose may occur at higher pressures.)

The complete Slant/Fin line includes baseboard and commercial fin-tube radiation, radiant heating, boilers, and hydronic accessories; information on request.

Slant/Fin®
The next generation of hydronic heating

©Slant/Fin Corp. 2011. Printed in the U.S.A. 111. Publication No. EC-FF-10.

U.S.A.
Slant/Fin Corporation • 100 Forest Drive
Greenvale, NY 11548 • 516-484-2600
www.slantfin.com

Canada
Slant/Fin LTD/LTEE • 6450 Northam Drive
Mississauga, Ontario L4V 1H9 • 905-677-8400
www.slantfin.ca