

This parts list must be left with owner, hung on or adjacent to the boiler. Owner should retain parts list for future reference.

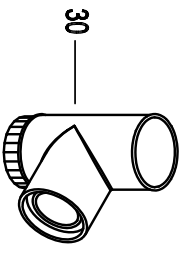
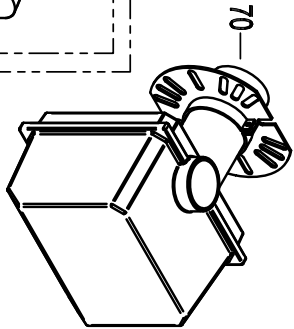
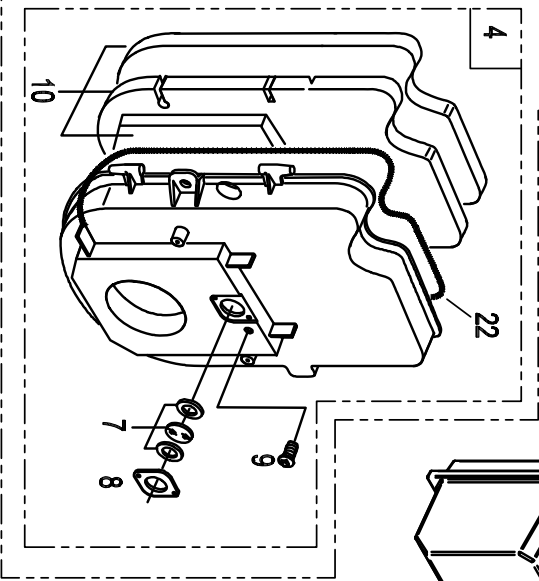
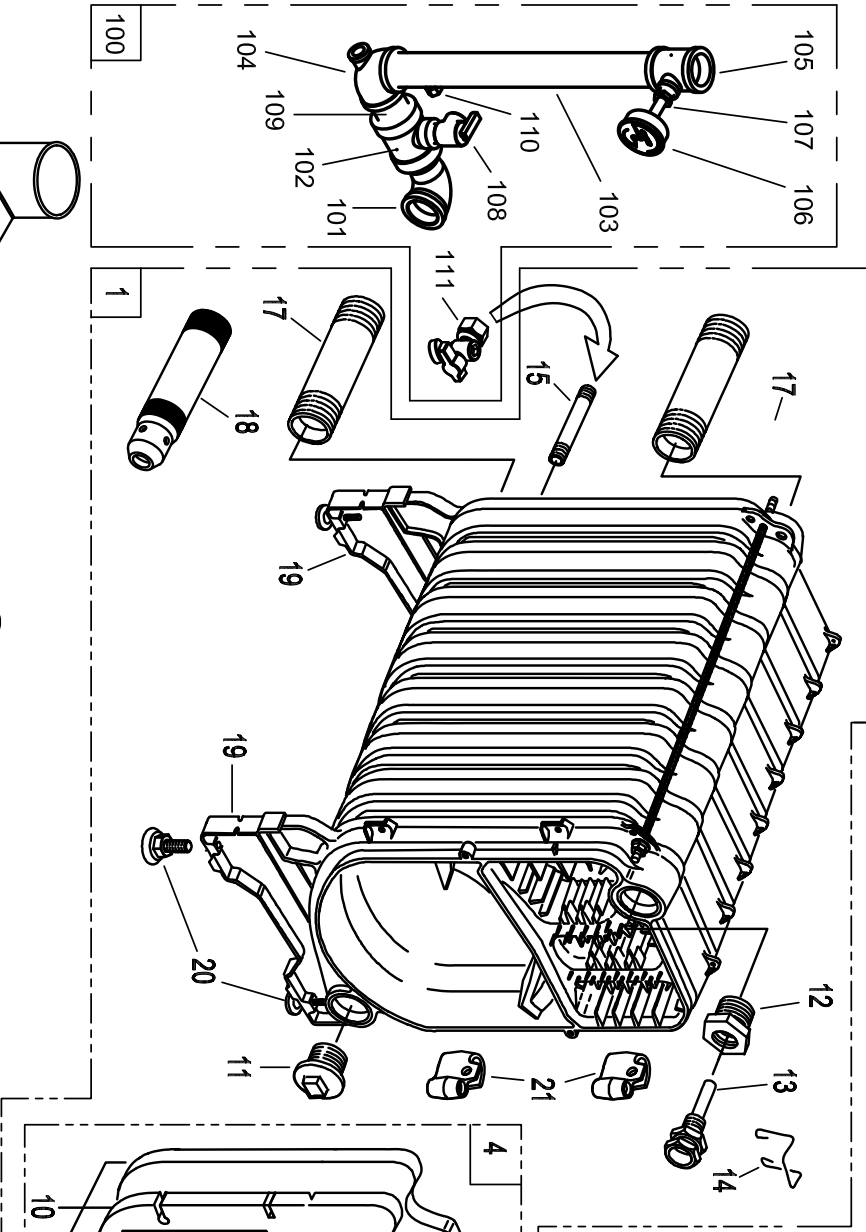
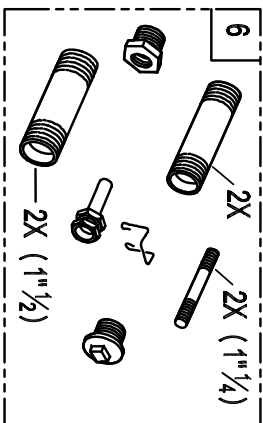
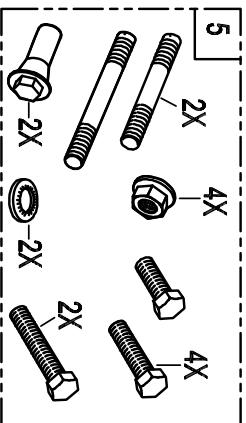
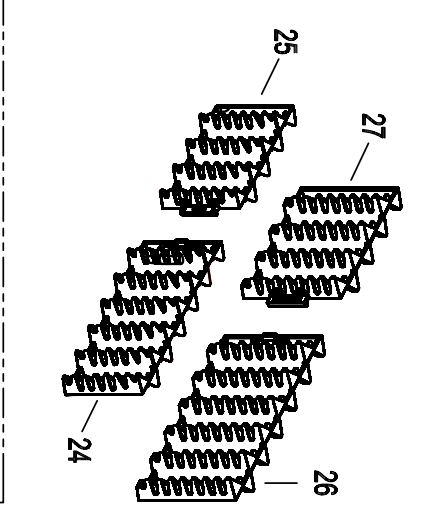
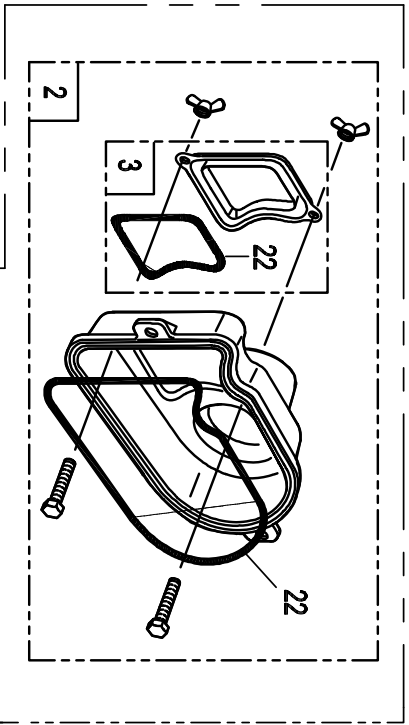
EUTECTIC

EC-20 Series Oil-Fired Hot Water Boiler

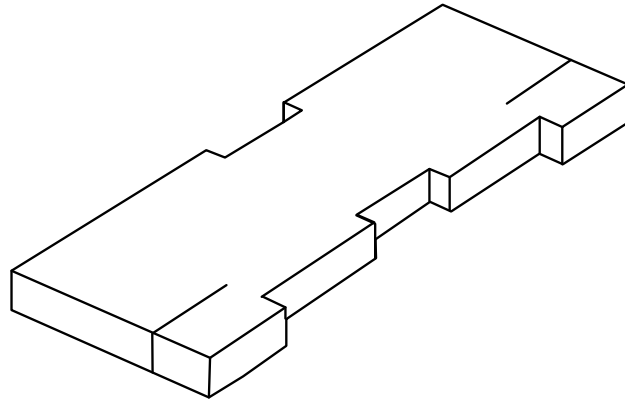
Boiler Replacement Parts List

Boiler Body & External Components

Item No.	Description	EC-25	EC-26	EC-27	EC-28
1	CASTING ASSEMBLY WITH DOOR	475002000	475003000	475004000	475005000
2	NOZZLE N150MM (EC 25)	475222000	-	-	-
	NOZZLE N180MM (EC 26, 27, 28)	-	475223000	475223000	475223000
3	CLEANOUT TRAP WITH GASKET	475221000	475221000	475221000	475221000
4	BURNER DOOR COMPLETE	475101000	475102000	475102000	475102000
5	BAG OF SCREWS	475109000	475109000	475109000	475109000
6	PIPE KIT & PLUG	475096000	475096000	475096000	475096000
7	OBSERVATION GLASS & GASKET	475108000	475108000	475108000	475108000
8	OBSERVATION FLANGE	475107000	475107000	475107000	475107000
9	PLUG 1/4" NR290	475106000	475106000	475106000	475106000
10	DOOR INSULATION COMPLETE	475104000	475105000	475105000	475105000
11	PLUG 1 1/2"	475168000	475168000	475168000	475168000
12	ADAPTER NIPPLE 1 1/2" TO 1/2"	475211000	475211000	475211000	475211000
13	1/2" SENSOR TUBE (LENGTH 200MM)	475210000	475210000	475210000	475210000
14	SPRING FOR POCKET	470210000	470210000	470210000	470210000
15	DRAIN ADAPTOR NIPPLE 3/4" TO 3/4" NPT	475191000	475191000	475191000	475191000
17	SUPPLY/RETURN NIPPLE 1 1/4" (EC 25)	475190000	-	-	-
	SUPPLY/RETURN NIPPLE 1 1/2" (EC 26,27, 28)	-	475193000	475193000	475193000
18	RETURN PIPE DISTRIBUTOR	-	-	-	-
19	BASE - LEG (2 RQD)	475061000	475061000	475061000	475061000
20	ADJUSTABLE FEET (SET OF 4)	470062000	470062000	470062000	470062000
21	BURNER DOOR HINGE (2 REQUIRED)	475103000	475103000	475103000	475103000
22	GASKET Ø10.5 (1M)	470226000	470226000	470226000	470226000
24	CENTER BAFFLE PLATE	475072000	475072000	475072000	475072000
25	CENTER BAFFLE EXTENSION (6 & 7 SECTION)	-	475073000	475073000	475073000
26	RIGHT BAFFLE PLATE	475074000	475074000	475074000	475074000
27	RIGHT BAFFLE EXTENSION (6 & 7 SECTION)	-	475075000	475075000	475075000
30	6" DRAFT REGULATOR	400098000	-	-	-
	7" DRAFT REGULATOR	-	400105000	400105000	400105000
31	BAFFLE HOOK	475212000	475212000	475212000	475212000
32	NYLON BRUSH (77mm)	475213000	475213000	475213000	475213000
	NYLON BRUSH (120mm)	475214000	475214000	475214000	475214000
Sheet Metal					
35	BASIC CONTROL BOARD COVER	475015200	475015200	475015200	475015200
40	INSULATION PACKAGE - COMPLETE	475055000	475056000	475057000	475058000
41	JACKET ASSEMBLY	475009200	475010200	475011200	475012200
42	JACKET SIDE RIGHT/LEFT	475117000	475118000	475119000	475120000
43	LOWER SIDE CROSSBAR	475116000	475116000	475116000	475116000
44	TOP PANEL	475129000	475130000	475131000	475132000
45	REAR JACKET PANEL	475113000	475113000	475113000	475113000
46	BURNER DOOR PANEL	475112000	475112000	475112000	475112000
47	COMPLETE FRONT PANEL	475111000	475111000	475111000	475111000
48	FRONT CROSSPIECE	475068000	475068000	475068000	475068000
49	COMPLETE CONTROL PANEL SUPPORT	475037000	475037000	475037000	475037000
50	CONTROL PANEL CHASSIS	475050000	475050000	475050000	475050000
51	CONTROL PANEL WINDOW CASING	475052000	475052000	475052000	475052000
52	CONTROL PANEL UPPER HOUSING	475048200	475048200	475048200	475048200
53	CONTROL PANEL WINDOW	475053000	475053000	475053000	475053000
54	CONTROL PANEL SCREWS PACKET	475054000	475054000	475054000	475054000
Burners					
	RIELLO F-10 BURNER EC-25 PACKAGE	475087200	--	--	--
70	RIELLO F-10 BURNER EC-26 PACKAGE	--	475088200	--	--
	RIELLO F-10 BURNER EC-27 PACKAGE	--	--	475089200	--
	RIELLO F-10 BURNER EC-28 PACKAGE	--	--	--	475090200
	HEAT WISE P2-KA BURNER EC-25 PACKAGE	475206000	--	--	--
70A	HEAT WISE P2-KA BURNER EC-26 PACKAGE	--	475207000	--	--
	HEAT WISE P2-KA BURNER EC-27 PACKAGE	--	--	475208000	--
	HEAT WISE P2-K BURNER EC-28 PACKAGE	--	--	--	475209000
Electrical					
72	INTERFACE BOARD	791036000	791036000	791036000	791036000
73	HONEYWELL L7248L-1030 AQUASTAT	470016000	470016000	470016000	470016000
74	CONTROL BOARD COVER (FOR SF-10 CONTROL)	475115000	475115000	475115000	475115000
75	ON/OFF SWITCH	862601000	862601000	862601000	862601000
76	DISPLAY LIGHT (GREEN) W/CONNECTOR	470022100	470022100	470022100	470022100
77	DISPLAY LIGHT (AMBER)	470023000	470023000	470023000	470023000
78	SF-10 PROGRAMMABLE CONTROL	470301000	470301000	470301000	470301000
80	RELAY WHITE ROGERS 90-360 SPNO	440543000	440543000	440543000	440543000
81	RELAY WHITE ROGERS 90-370 SPDT	470298000	470298000	470298000	470298000
82	TRANSFORMER	790344000	790344000	790344000	790344000
83	TRIDICATOR	470024000	470024000	470024000	470024000
N/A	OUTDOOR RESET SENSOR (EM-10 CONTROL)	339070000	339070000	339070000	339070000
N/A	UNIVERSAL SENSOR (EM-10 CONTROL)	790400000	790400000	790400000	790400000
84	CONTROL BOARD COVER (EC-20 W/BECKETT CTRL)	475121200	475121200	475121200	475121200
85	BECKETT AQUASmart TEMP CTRL KIT	470313000	470313000	470313000	470313000
86	BECKETTAQUASmart CONTROL	470314000	470314000	470314000	470314000
87	REMOTE CONTROL PANEL DISPLAY (BECKETT AQUASmart)	470317000	470317000	470317000	470317000
88	REMOTE MOUNT KIT (BECKETT AQUASmart)	470318000	470318000	470318000	470318000
89	RIBBON EXTENSION CABLE	470316000	470316000	470316000	470316000
90	TEMPERATURE SENSOR UNIT (BECKETT)	430427000	430427000	430427000	430427000
91	BECKETT TEMPERATURE SENSOR 48" EXTENSION	470315000	470315000	470315000	470315000
Plumbing					
100	PLUMBING & FITTING PACKAGE	475094000	475094000	475094000	475094000
101	1-1/2" NPT STREET ELBOW	475162000	475162000	475162000	475162000
102	REDUCING TEE 1-1/2" X 1-1/2" X 3/4" NPT	475163000	475163000	475163000	475163000
103	1-1/2" NPT X 18" NIPPLE (BLACK) W/1/4" - 19 BSPT TAPPING	475164000	475164000	475164000	475164000
104	HEEL TEE 1-1/2" X 1/2" X 1/2" NPT	475160000	475160000	475160000	475160000
105	REDUCING TEE 1-1/2" X 1-1/2" X 1/2" NPT	475165000	475165000	475165000	475165000
106	TRIDICATOR	910373061	910373061	910373061	910373061
107	REDUCING BUSHING 1/2" X 1/4" (BL.MALLEABLE)	902179051	902179051	902179051	902179051
108	PRESSURE RELIEF VALVE, 3/4" MALE, 30 PSI	650550000	650550000	650550000	650550000
109	NIPPLE 1-1/2" NPT SHOULDER	475167000	475167000	475167000	475167000
110	CHECK VALVE R1/4"	863402000	863402000	863402000	863402000
111	DRAIN VALVE FEMALE 3/4" NPT	470169000	470169000	470169000	470169000

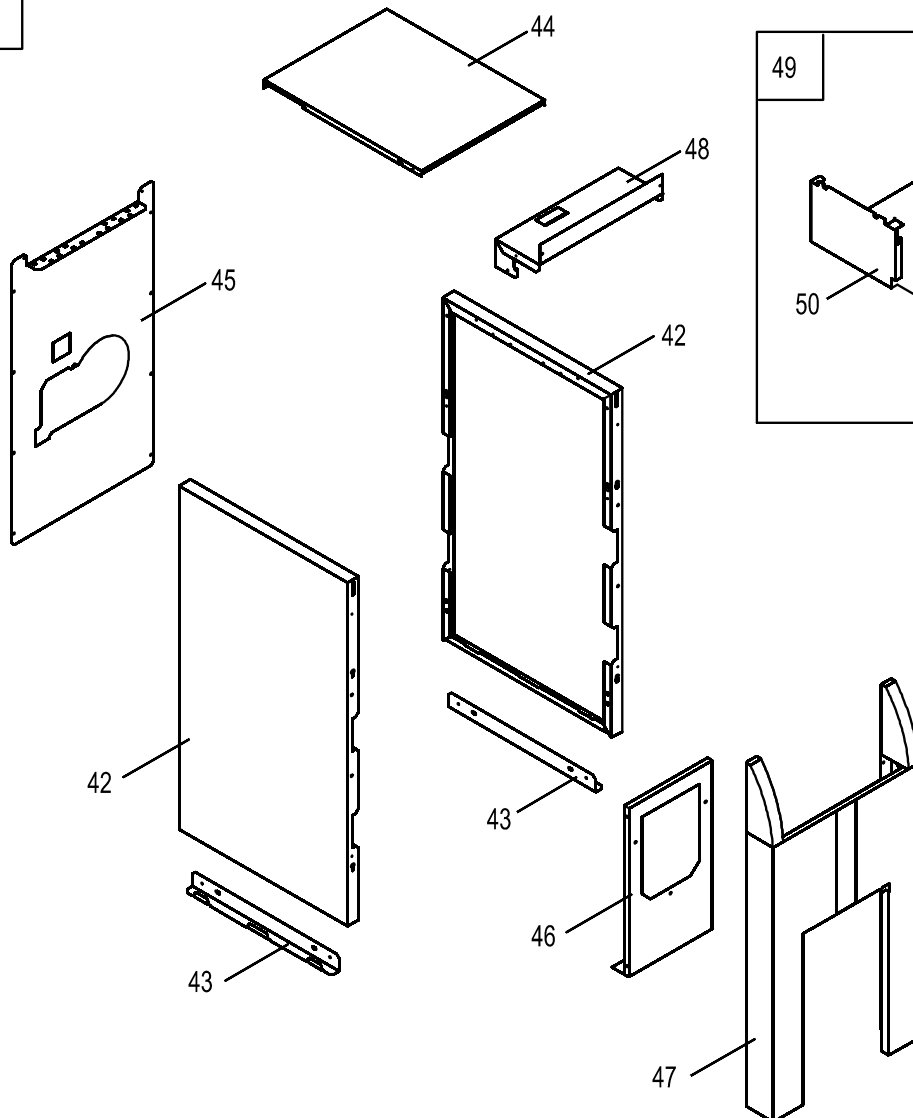


40

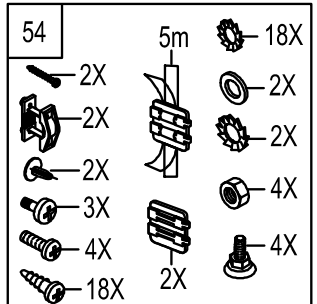
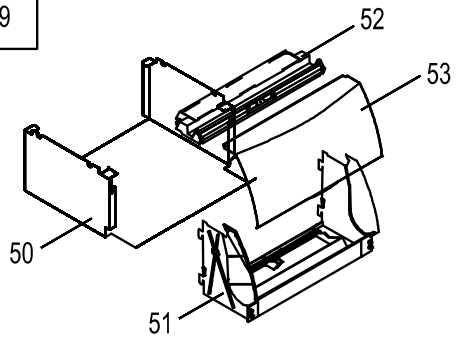


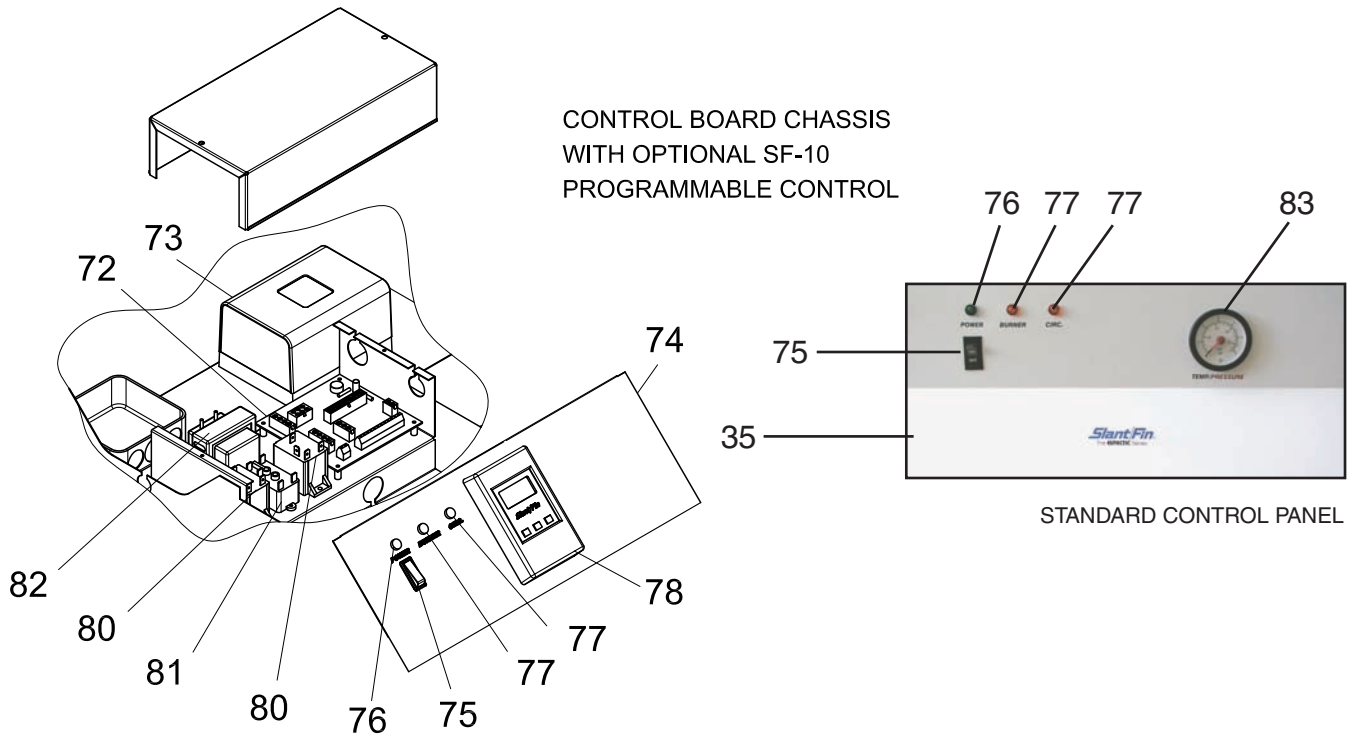
Sheet Metal & Electrical Components EC-20

41

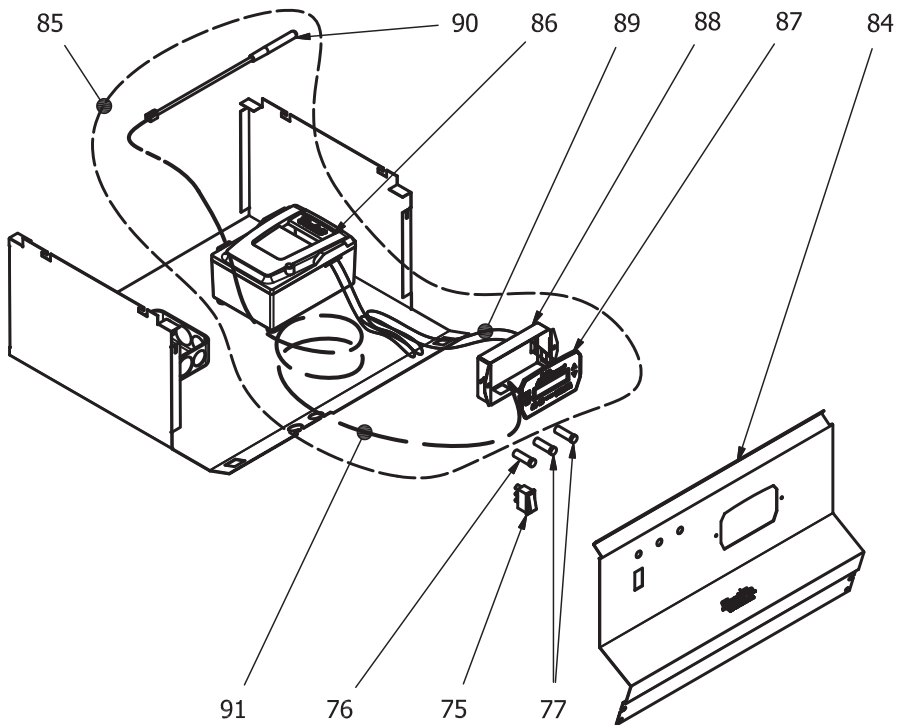


49





BECKETT AQUASMART PROGRAMMABLE CONTROL CHASSIS



SLANT/FIN CORPORATION, Greenvale, N.Y. 11548 • Phone: (516) 484-2600
 FAX: (516) 484-5921 • Canada: Slant/Fin LTD/LTEE, Mississauga, Ontario

www.slantfin.com