

Slant/Fin[®]

Q3

FOR U.S. SALES ONLY



This manual must be left with owner and should be hung on or adjacent to the boiler for reference.

High Efficiency 3-Pass Oil Fired Hot Water Boiler

MODELS Q3-4, Q3-5, Q3-6 and Q3-7

REPAIR PARTS & OPTIONAL KITS



Ordering Instructions

Order Parts through your nearest supplier. When ordering parts, obtain Model Number and Serial Number from data plate on your boiler. Include following information when ordering

Part Number _____

Part Description _____

Boiler Model Number _____

Boiler Serial Number _____

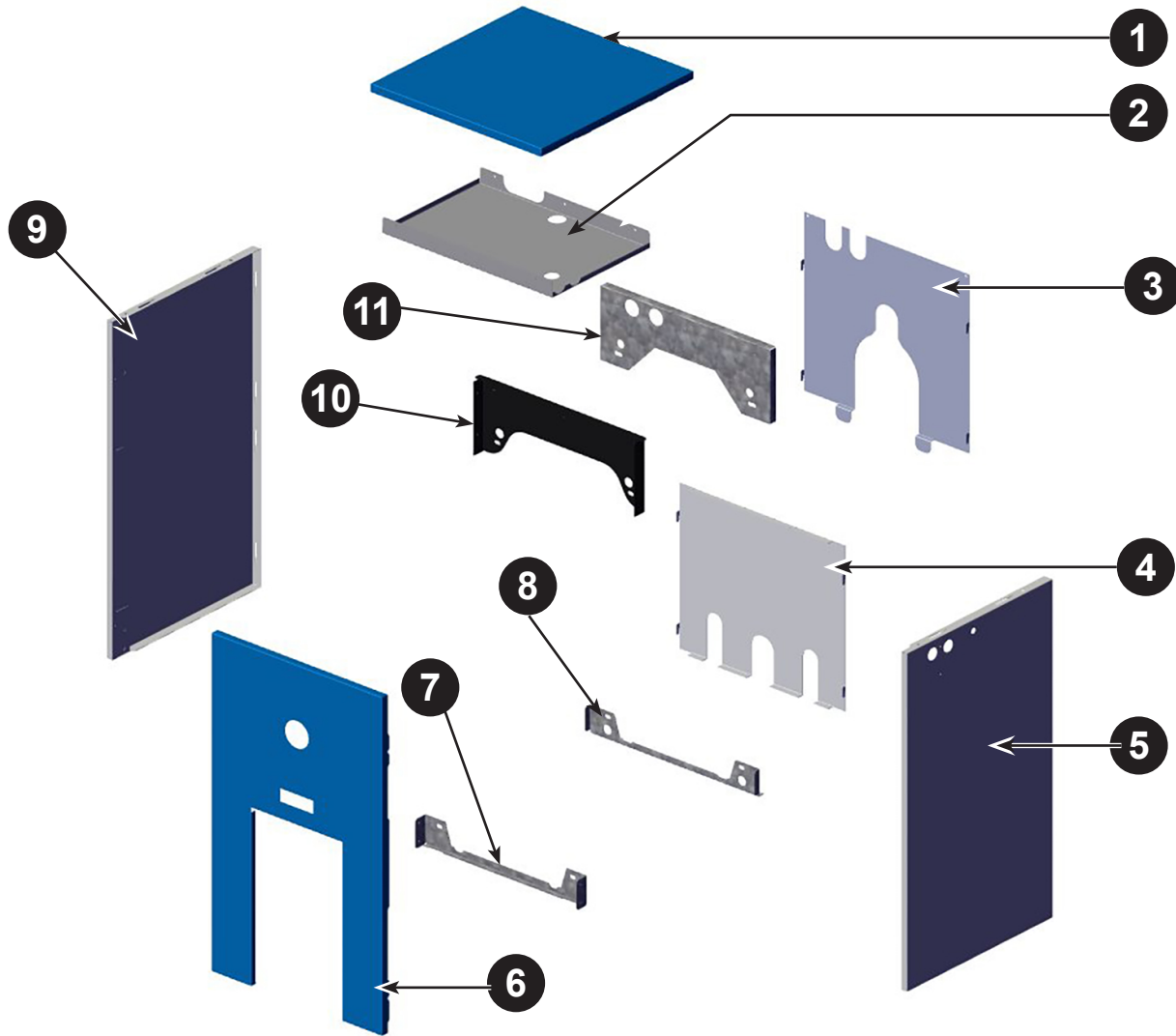


PUBLICATION: Q3-10-10PL • Printed in U.S.A. 1017 • Part No. 473910000

SLANT/FIN CORPORATION, Greenvale, N.Y. 11548 • Phone: (516) 484-2600
FAX: (516) 484-0933 • Canada: Slant/Fin LTD/LTEE, Mississauga, Ontario

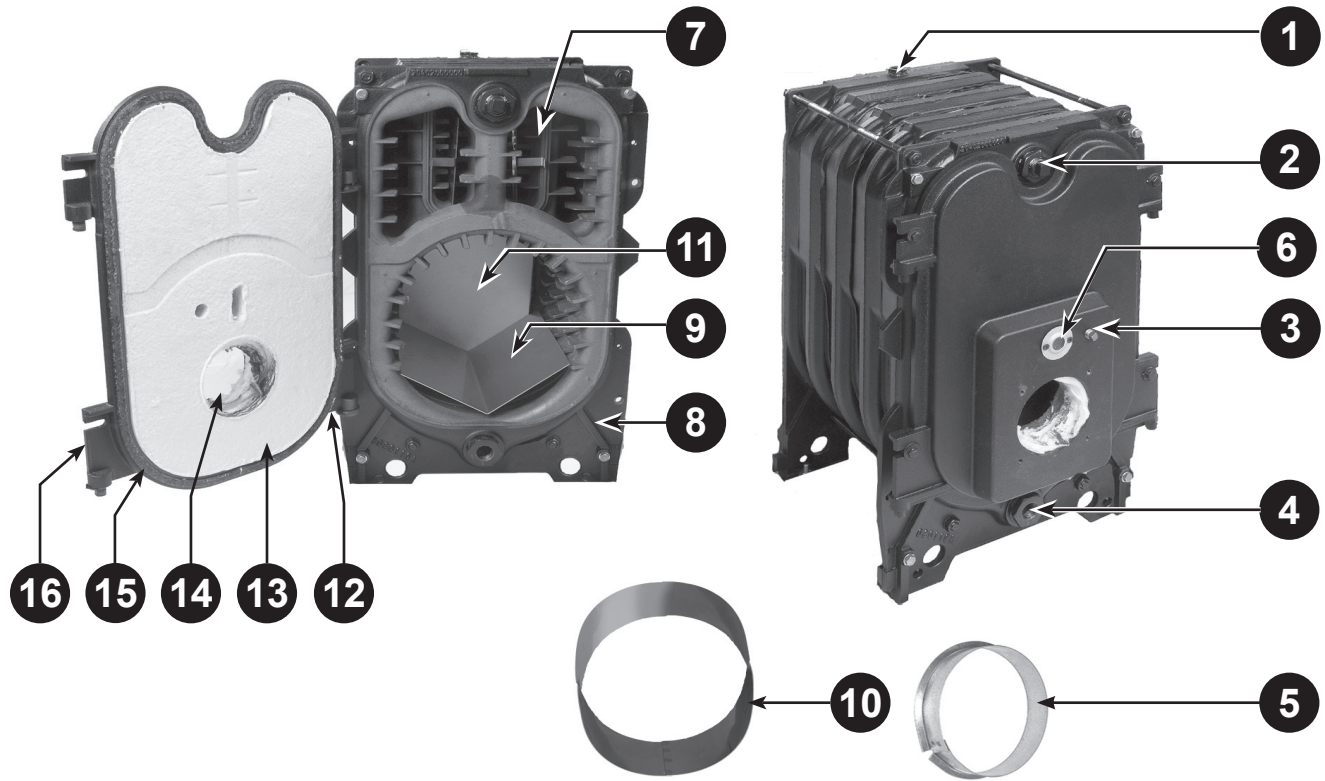
www.slantfin.com

JACKET



KEY	DESCRIPTION	Q3-4	Q3-5	Q3-6	Q3-7
1	Top Panel	109009884DB	109009885DB	109009886DB	109009887DB
2	Control Bracket	109009900	109009901	109009902	109009903
3	Rear Panel, Upper	109009889			
4	Rear Panel, Lower	109008624			
5	Right Side Panel	109009892DA	109009893DA	109009894DA	109009895DA
6	Front Panel	109009888DB			
7	Support Bracket, Lower Front	109008625			
8	Support Bracket, Lower Rear	109008628			
9	Left Side Panel	109009896DA	109009897DA	109009898DA	109009899DA
10	Support Bracket, Upper Front	109009890			
11	Support Bracket, Upper Rear	109009891			

HEAT EXCHANGER



Item	Description	Q3-4	Q3-5	Q3-6	Q3-7
8a	Chimney Vent Heat Exchanger Block (Includes Items 1,2,4,5,6,11,12,13,14,15,16)	550003106	550003107	550003108	550003109
8b	Direct Vent Heat Exchanger Block (Includes Items 1,2,4,6,11,12,13,14,15,16)	550003110	550003111	550003112	N/A
1	Control Well in Block	240007709			
2	1¼" x ¼" Bushing (for Temperature Pressure Gauge)	240009346			
4	1¼" x ¾" Bushing (for Drain Valve)	1060003			
5	5" Flue Collar (Used on 4/5/6 Section Chimney Vent Blocks Only)	109007382	109007382	109007382	N/A
6	Sight Glass Replacement Kit	550001932			
11	Target Wall Insulation*	240007302			
12	Door Hinge Kit (2 hinges included)	550001933			
13	Door insulation (hard)* (Front Door)	240007300			
14	Door Insulation (soft)* (Inner Burner Door)	240007301			
15	Door Rope Gasket*	240007390			
16	Burner door with insulation & rope gasket	240007305			
Items below Ordered Separately					
3	¼" NPT Plug	240005463			
7	Top Baffle (2 Required)	109007385	109007386	109007387	N/A
9	V-Shaped Liner	N/A	N/A	109007316	109007315
10	Oval Liner	109007317	N/A	N/A	N/A
‡	Heat Exchanger Insulation Center*	420001080	420001081	420001082	420001083
‡	Heat Exchanger Insulation Rear*	420001079			
‡	5/16" -18 x 1-1/4" Burner Mounting Stud (4 Required)	240011911			

‡ Not shown

* **WARNING:** This product contains fiberglass and/or ceramic fibers. Possible cancer hazard. To avoid this possible hazard, avoid breathing fiberglass wool & ceramic fiber dust. May cause irritation to skin, eyes & respiratory tract.

STANDARD CONTROLS & ACCESSORIES



Key	Description	Part Number
1	1a Hydrolevel 3250 Plus Limit Control with 12" Sensor	430424000
	1b Replacement 12" Sensor Only	460764000
2	24" Flexible Oil Line	473130000
3	Temperature / Pressure Gauge	473131000
4	3/4" Street Elbow	14693040
5	3/4" Drain Valve	240009323
6	1 1/4" x 6" Nipple	14607017
7	Barometric Draft Control, 5" (4 thru 6 section)	400094000
	Barometric Draft Control, 6" (7 Section only)	400098000
*	Control Well Grommet for Sensor Wire	240007713
*	1 1/4" x 3/4" x 1 1/4" Tee	1510001
*	3/4" Safety Relief Valve (30 PSI)	650550000
*	Burner Attachment Flange Nuts 5/16"-18 (Qty 4)	1330001

* = not shown

OIL BURNERS

Replacement Burners

Description	Q3-4	Q3-5	Q3-6	Q3-7
Oil Burner - Riello Chimney Vent Model 40F	473014000	473015000	473016000	473017000
Oil Burner - Riello Direct Vent Model 40BF	473024000	473025000	473026000	NA

FOR CHIMNEY VENT BOILERS (Required in Canada, USA Optional)

Description	Part Number
5" Blocked Vent Safety Switch Kit (4 thru 6 section)	473120000
5" flue Connector Pipe	473122000
Blocked Vent Switch	473124000
Wire Harness	473125000
6" Blocked Vent Safety Switch Kit (7 section)	473121000
6" Flue Connector Pipe	473123000
Blocked Vent Switch	473124000
Wire Harness	473125000

FOR DIRECT VENT BOILERS ONLY

Description	Part Number
Kit, Vent Pipe, 4" x 15' Includes Terminal Adapter and Appliance Adapter	473111000
Vent Terminal	473110000
Terminal Adapter Only	473112000
Appliance Adapter Only	473113000